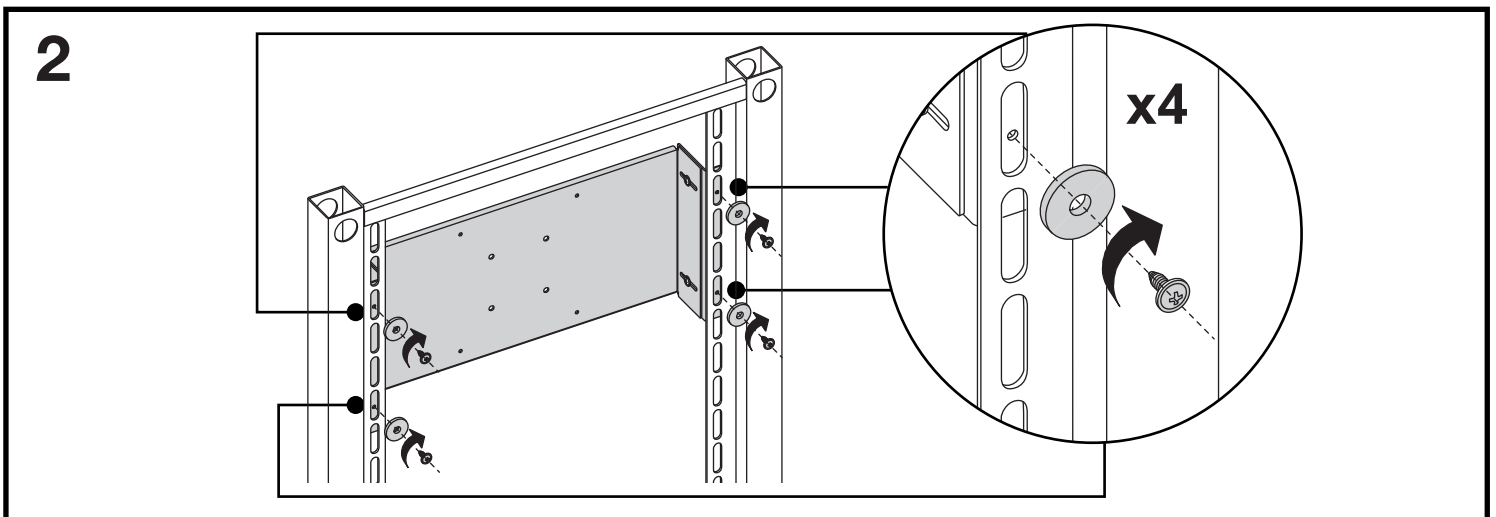
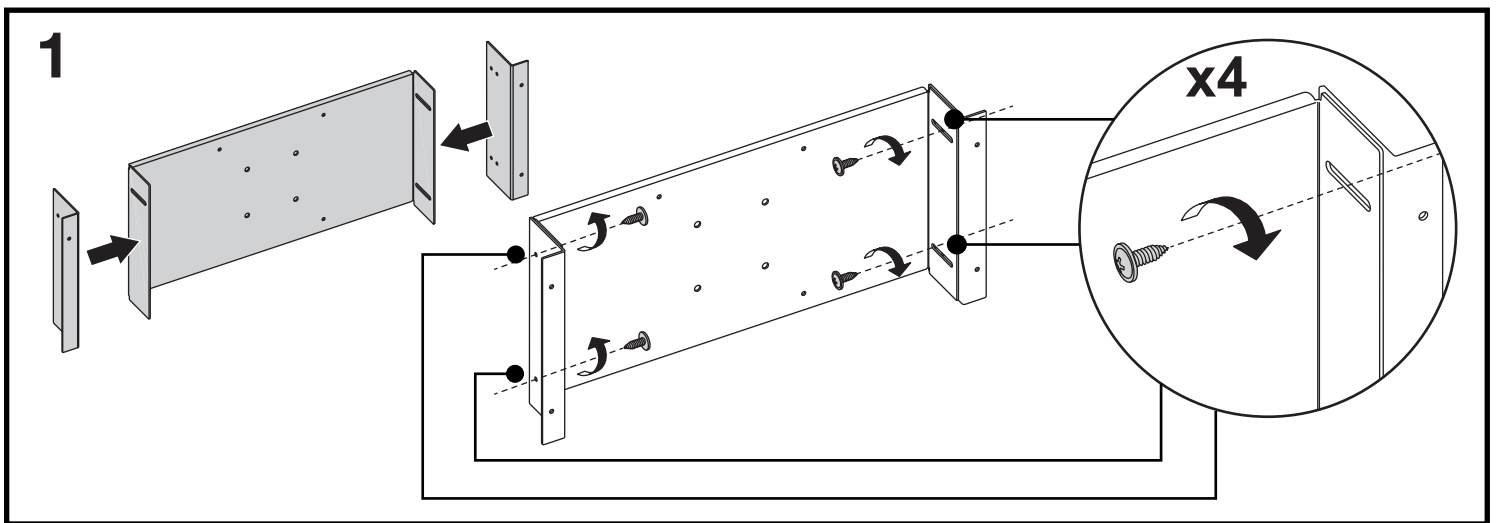
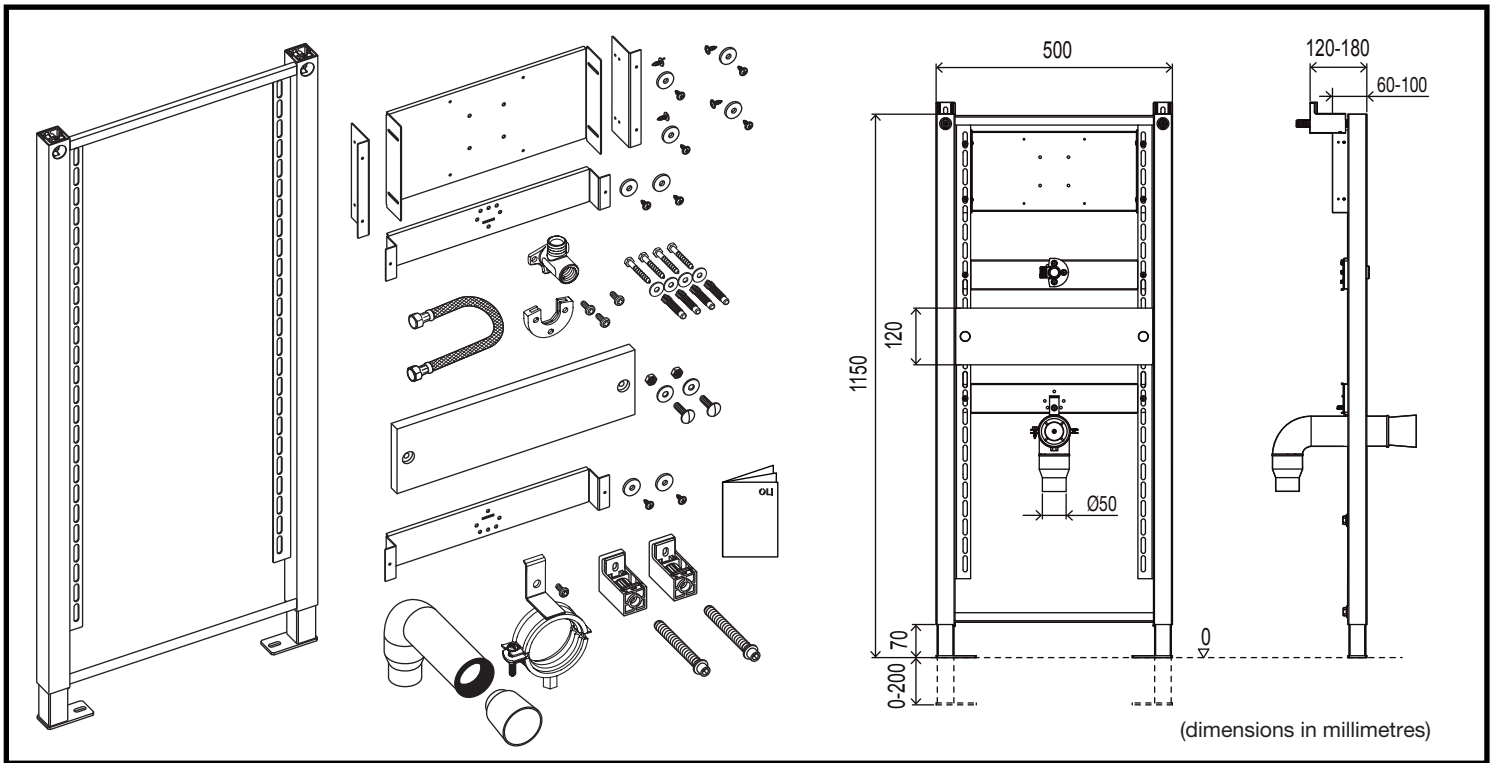
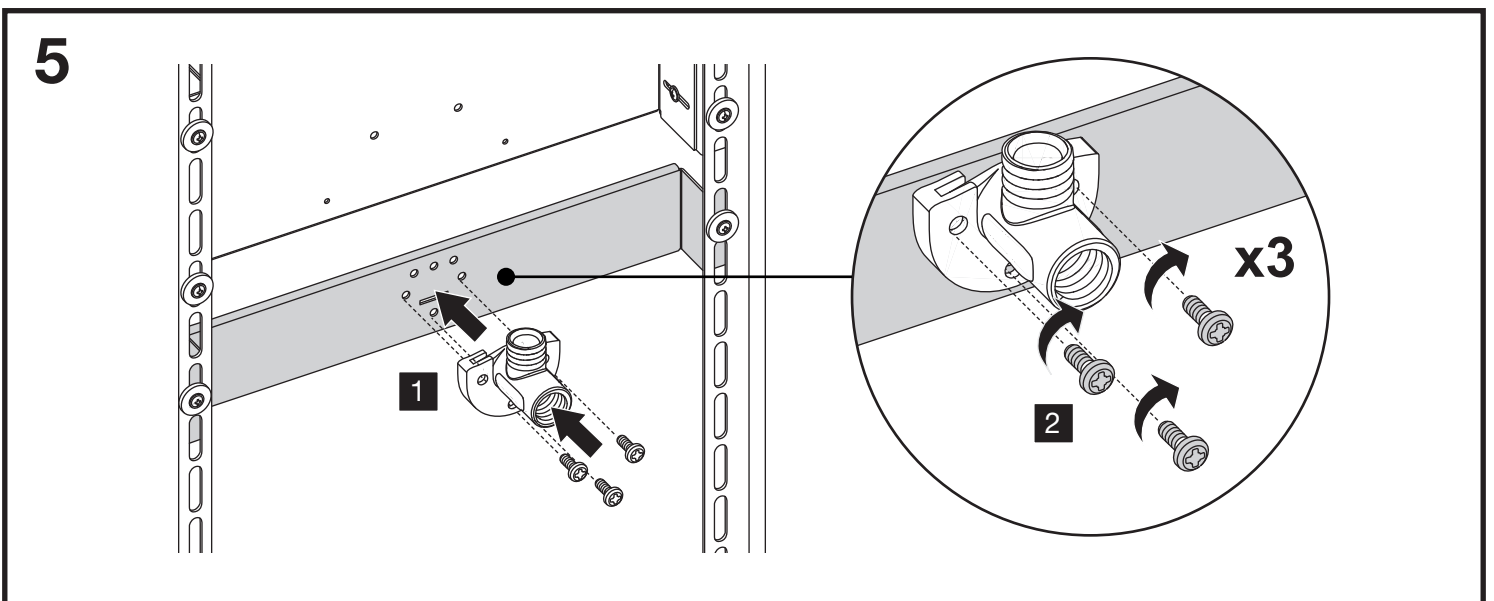
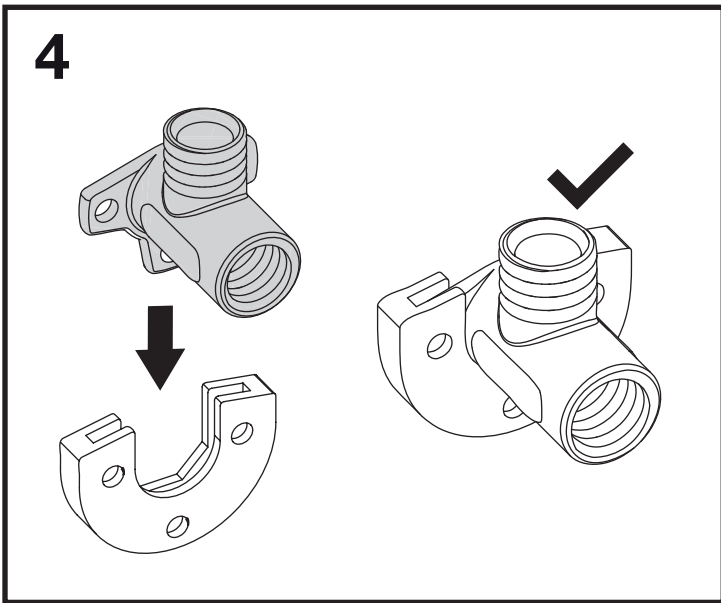
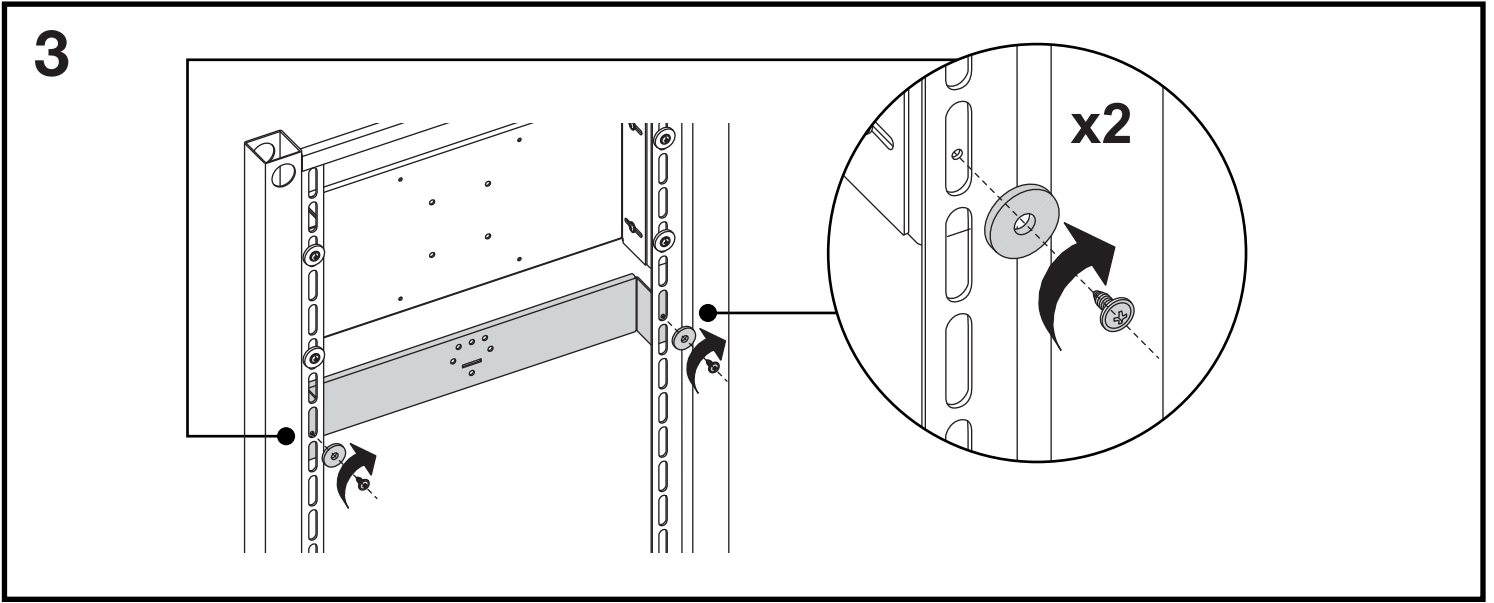
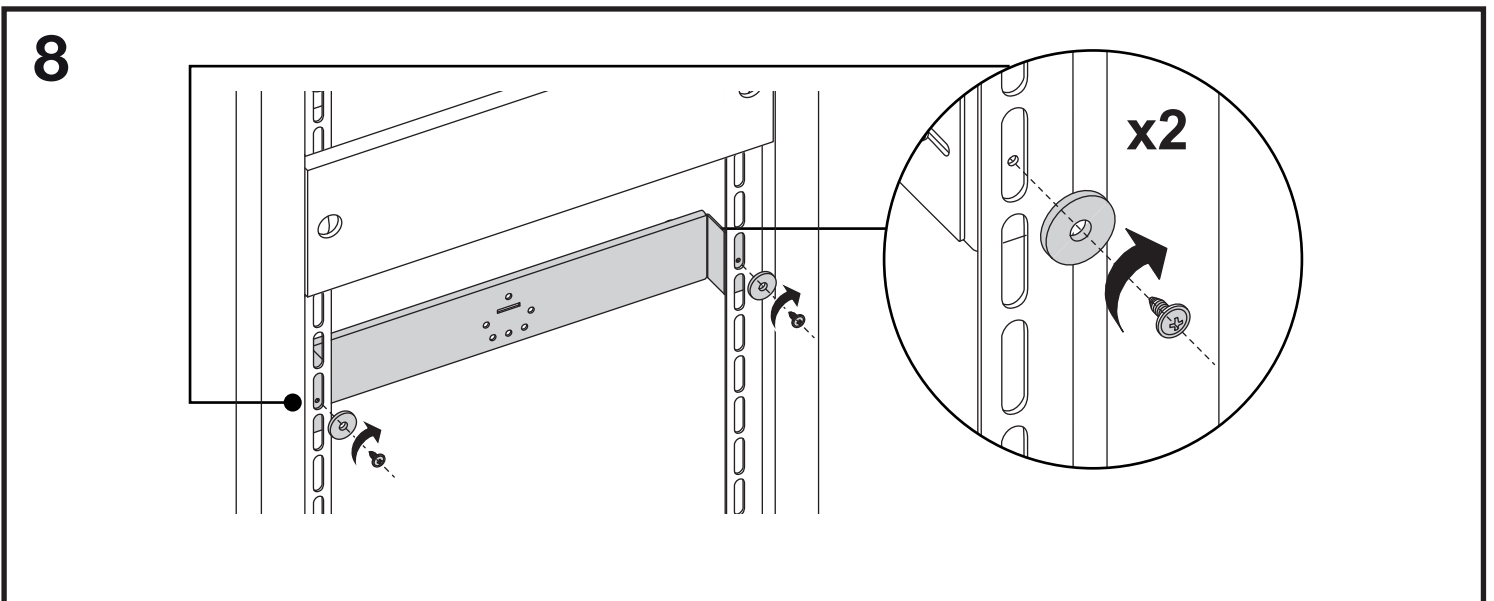
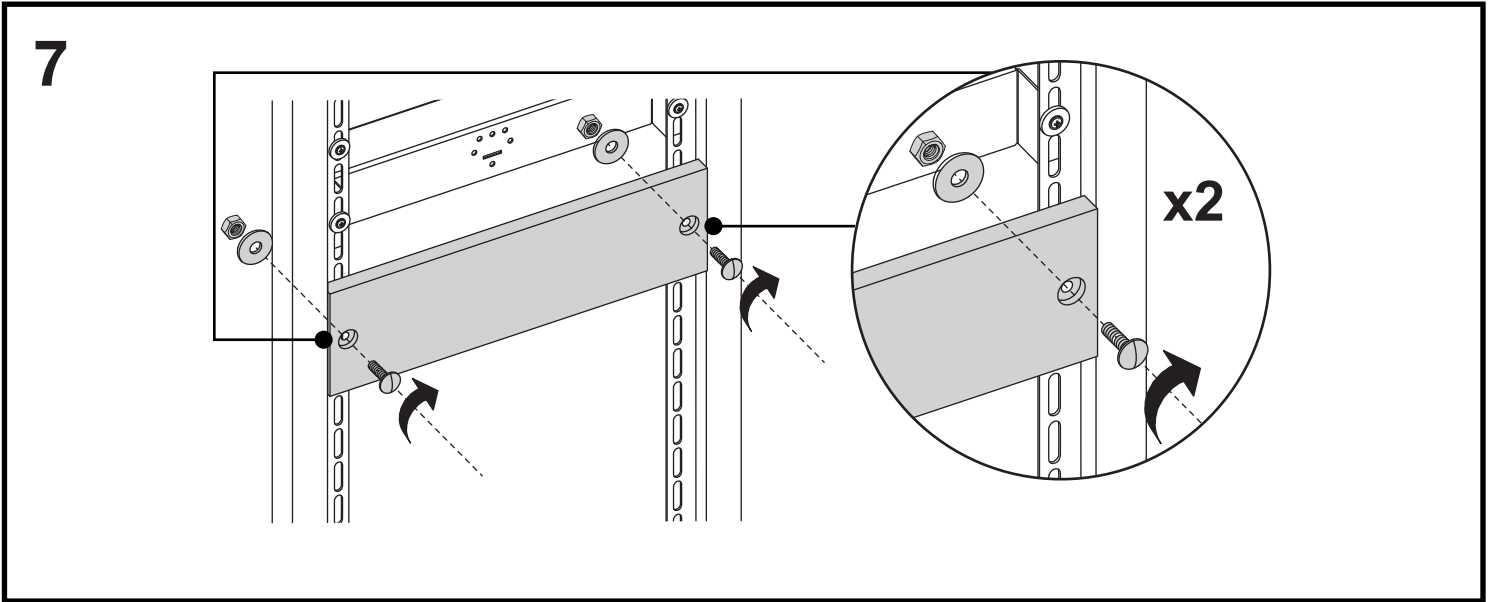
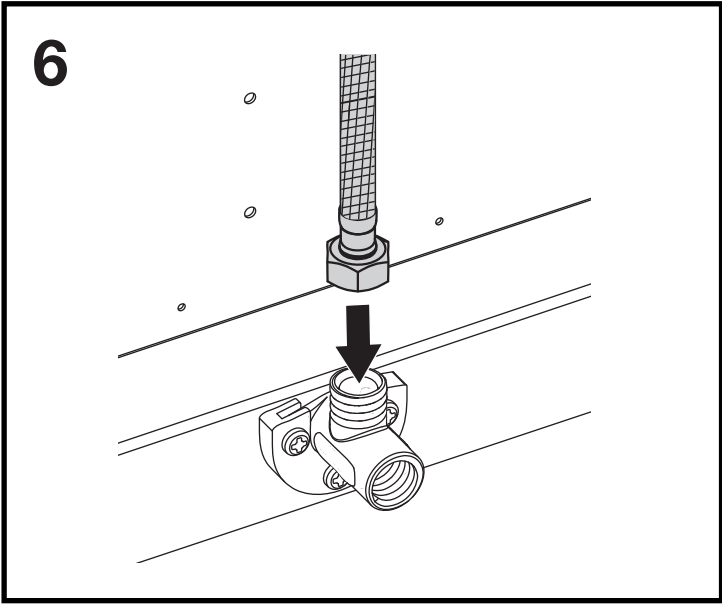


URINAL

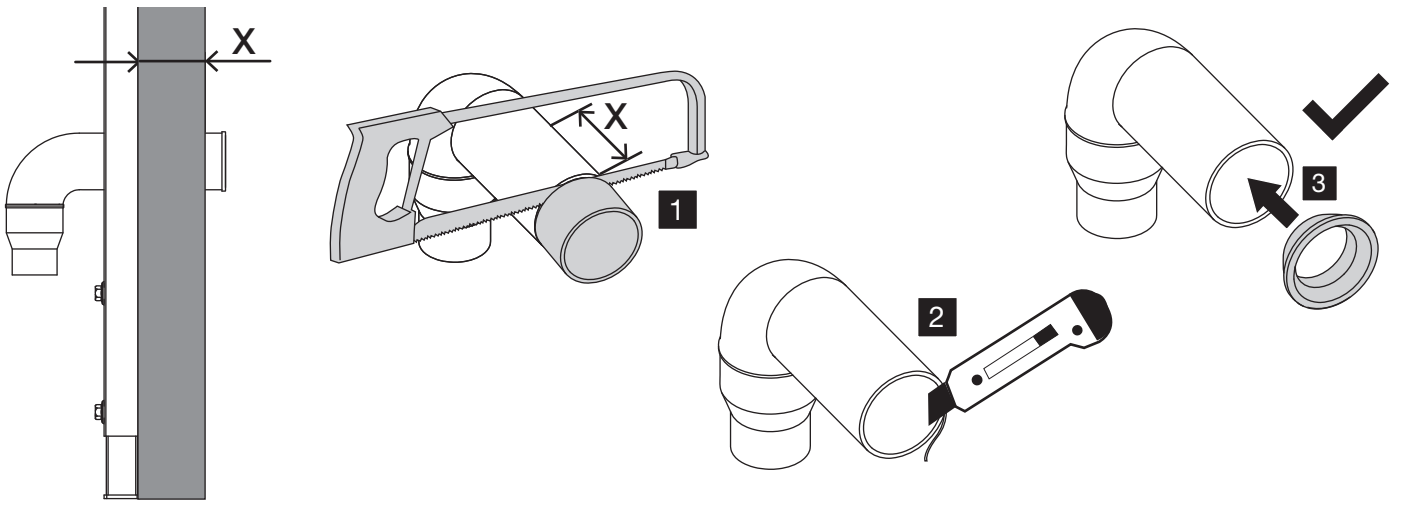
Sanitarblock



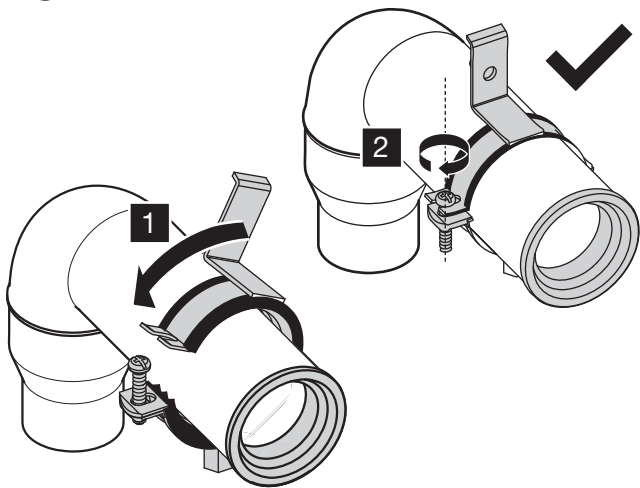




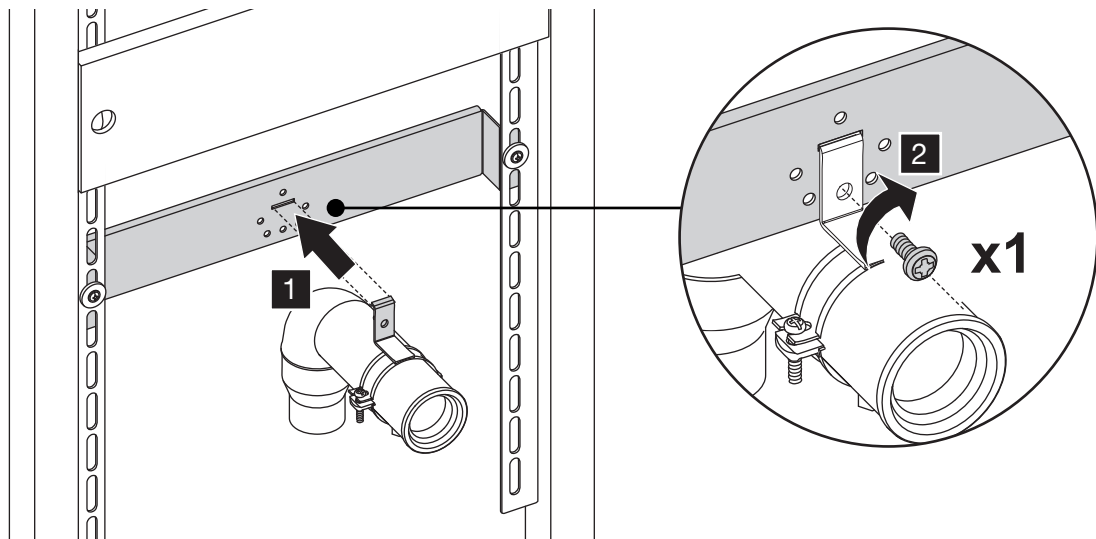
9



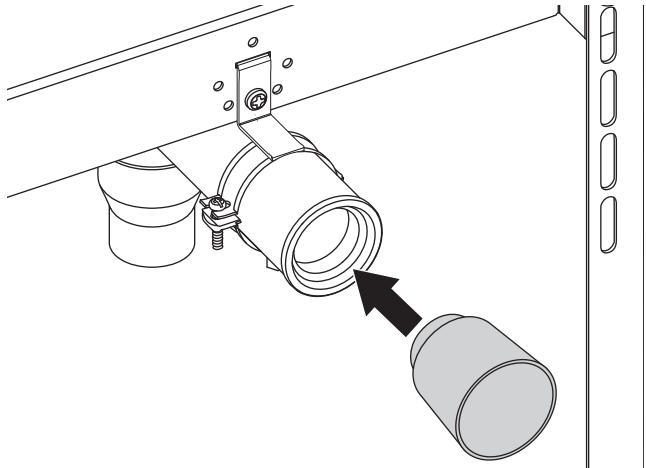
10



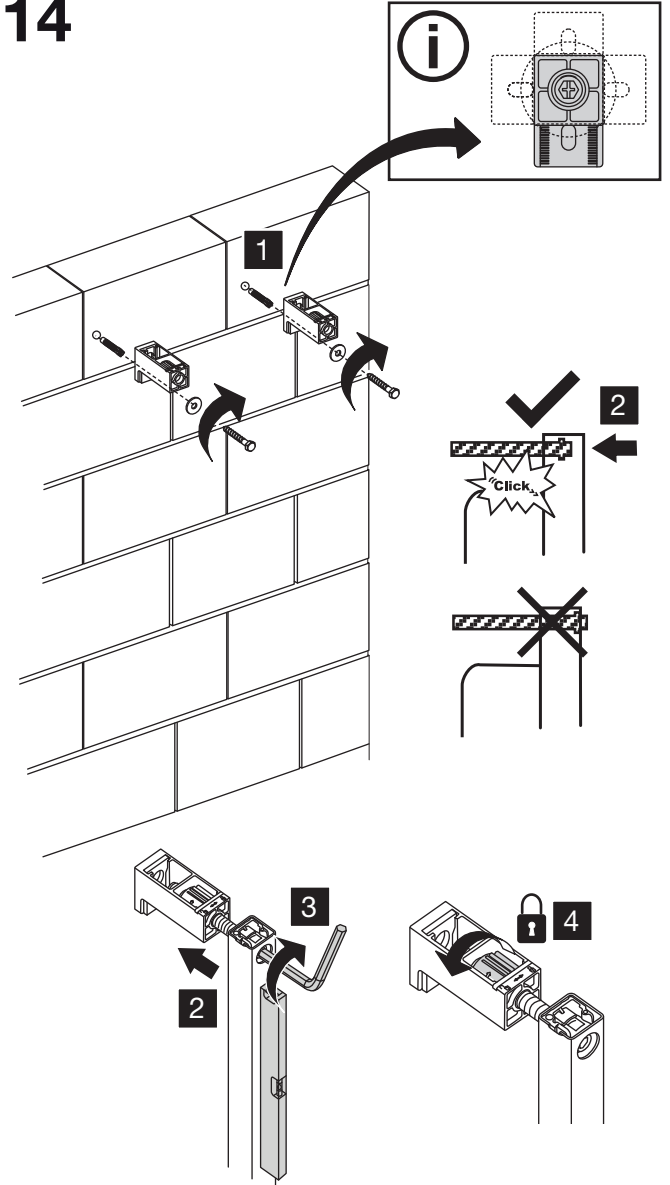
11



12



14



13

