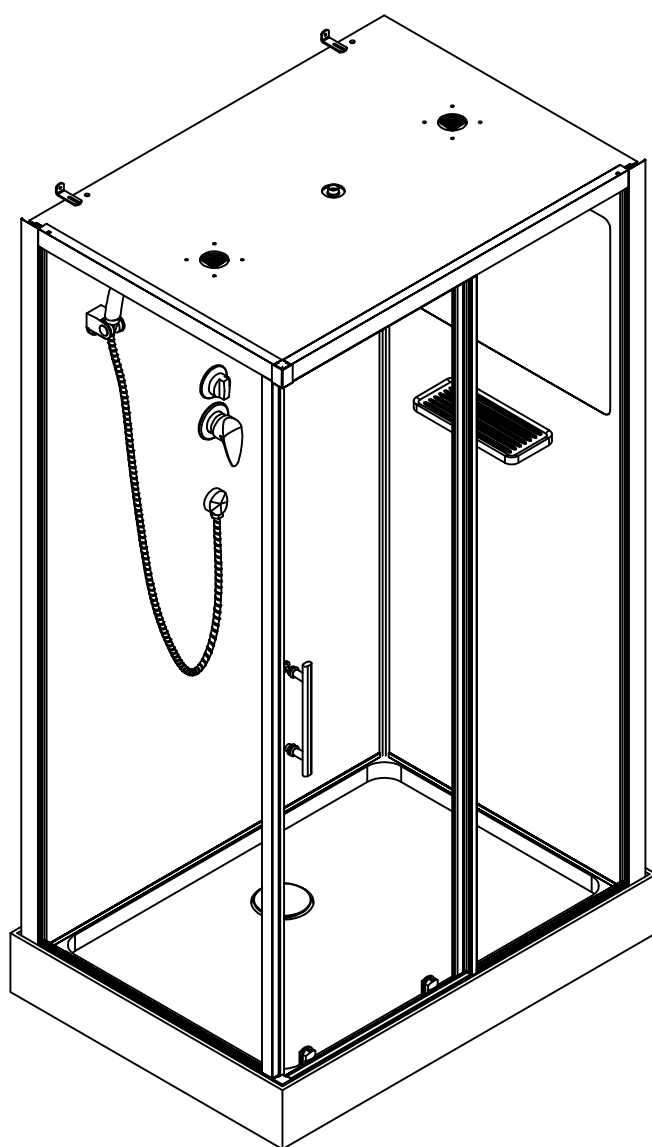
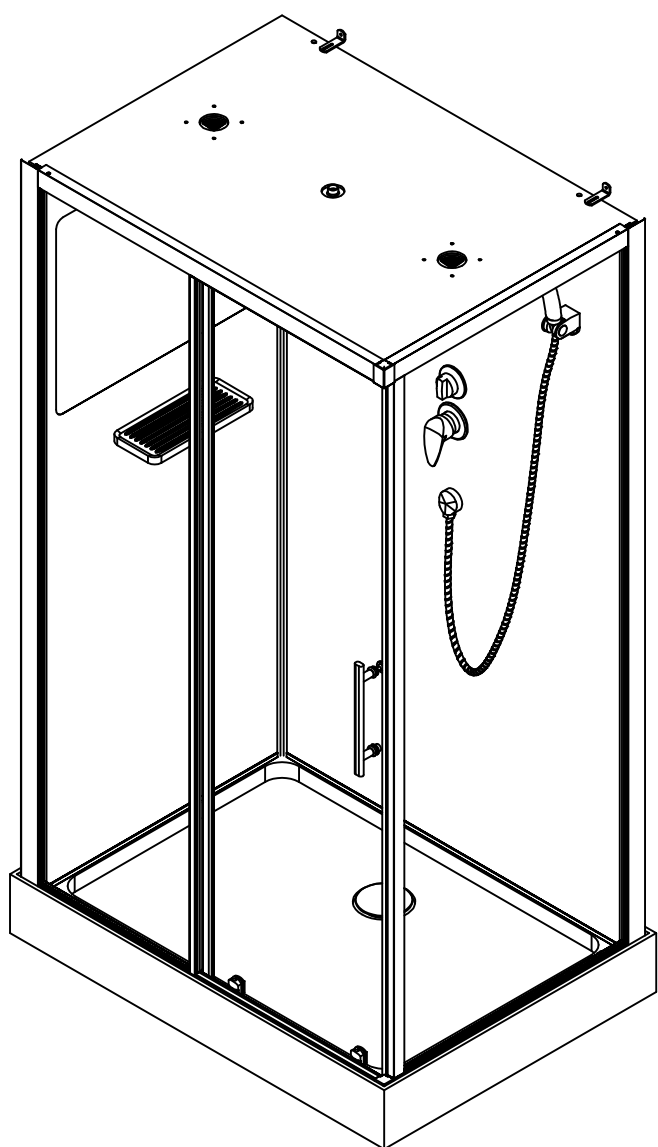
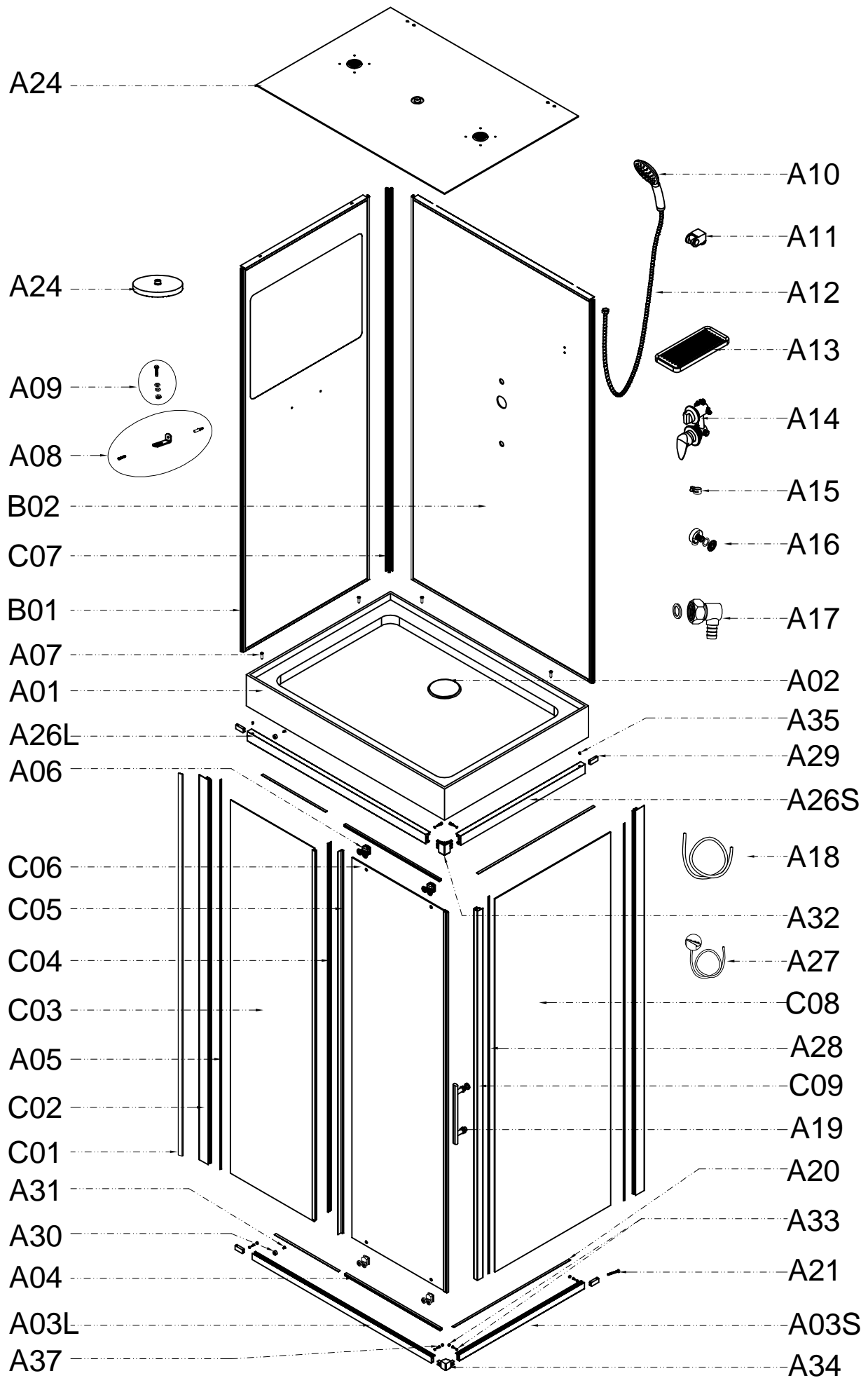
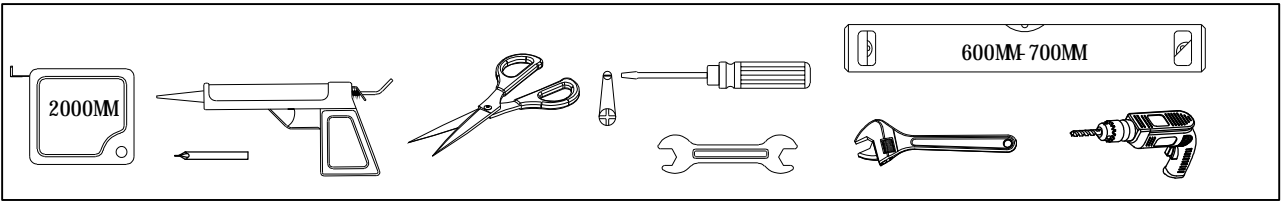


ESB-1180CKR ESB-1280CKR



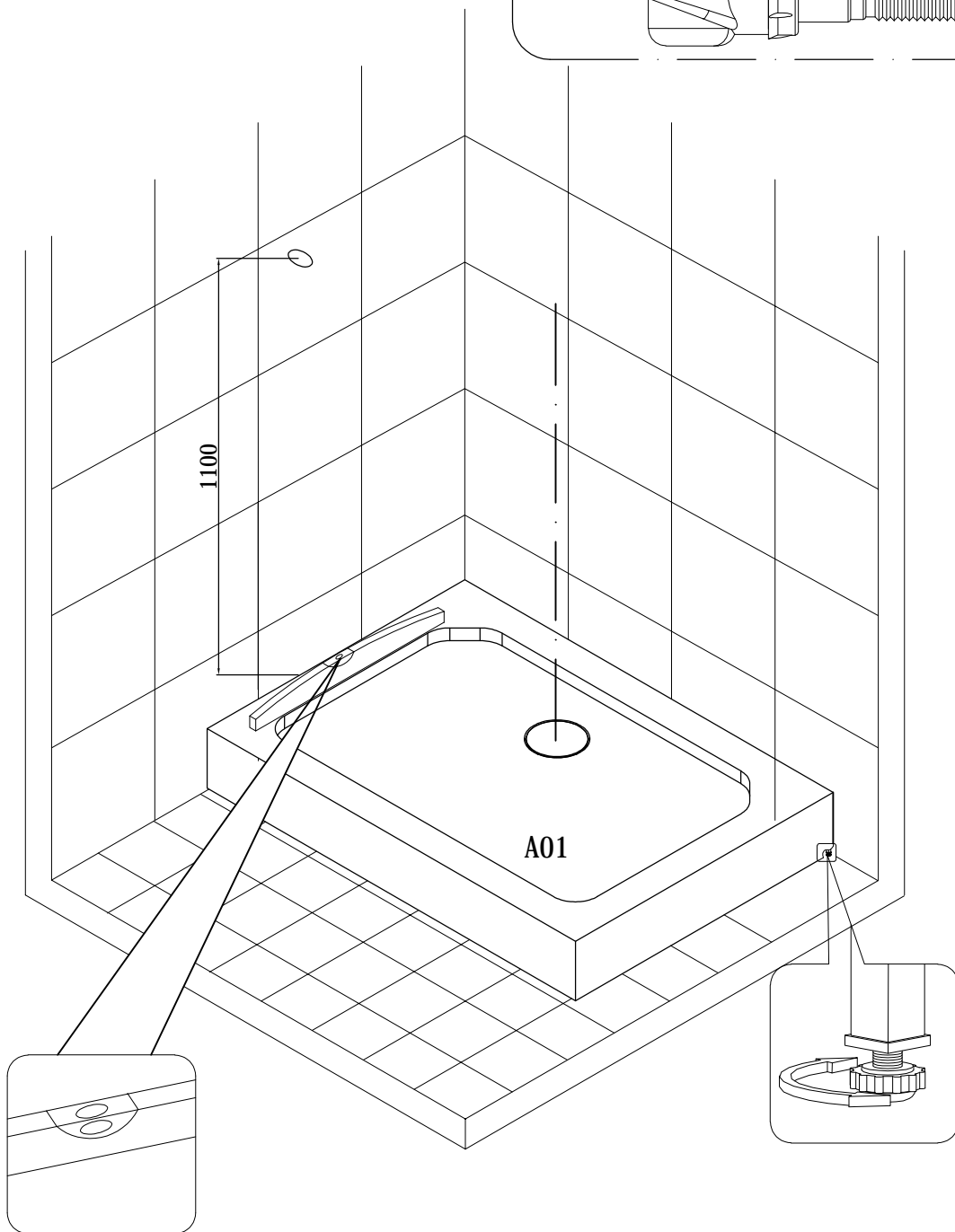
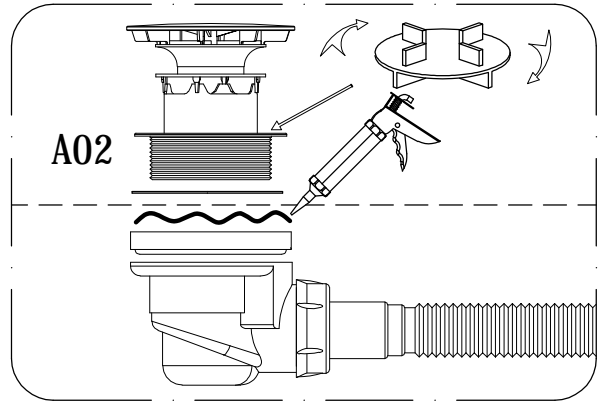
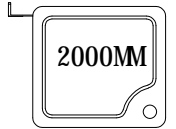
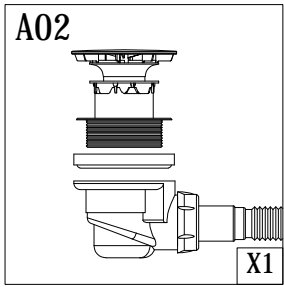
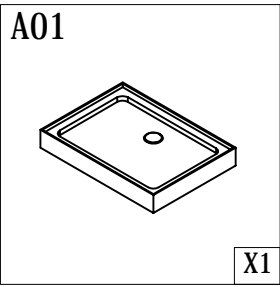


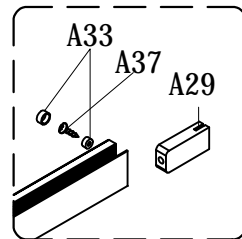
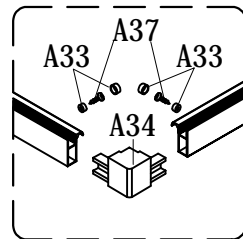
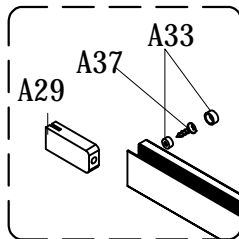
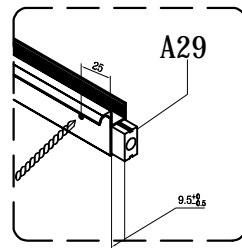
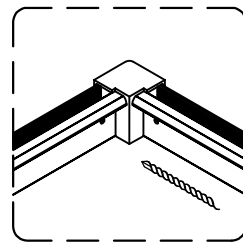
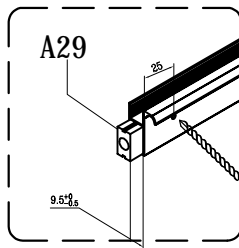
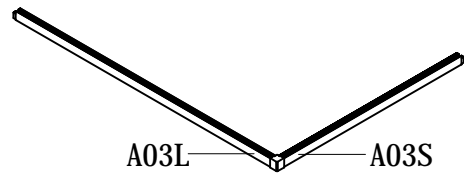
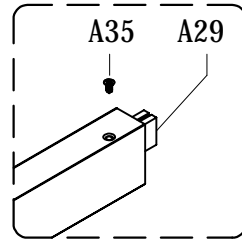
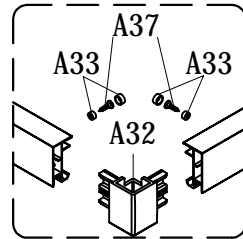
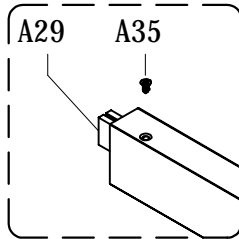
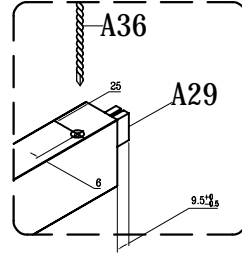
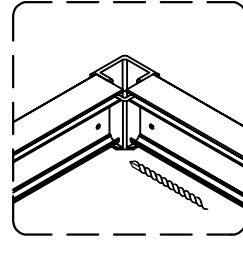
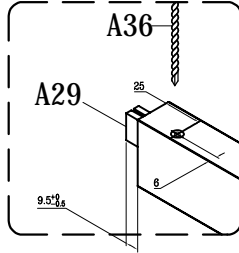
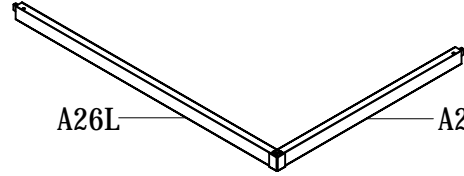
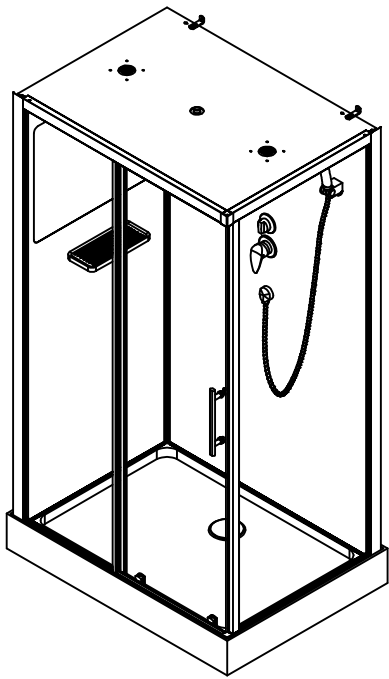
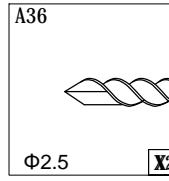
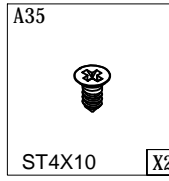
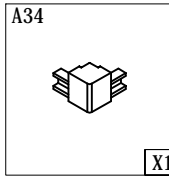
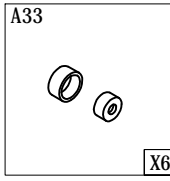
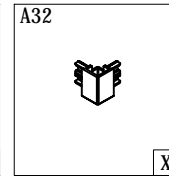
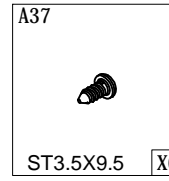
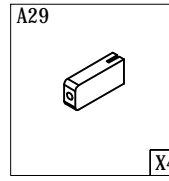
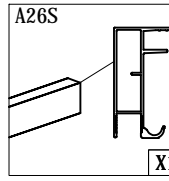
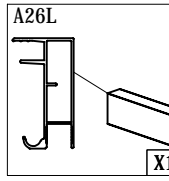
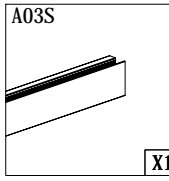
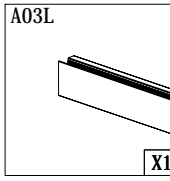


A01 X1	A02 X1	A03L X1	A03S X1	A04 11080 L=540MM 12080 L=590MM X2	A05 H=6.8MM L=3M X1	A06 UP DOWN X2
A07 X4	A08 ST3.9X30 X2	A09 X2	A10 X1	A11 MX20 X1	A12 L=1.5M X1	A13 X1
A14 X1	A15 X4	A16 X1	A17 X2	A18 X1	A19 X1	A20 The long 2pcs The short 2pcs X4
A21 M5X30 X4	A22 Φ9.8 X1	A23 X1	A24 X1	A25 X1	A26L X1	A26S X1
A27 H=2.8MM L=1.9M X1	A28 H=5.8MM L=5.2M X2	A29 X4	A30 X2	A31 ST4X10 X2	A32 X1	A33 X6
A34 X1	A35 ST4X10 X2	A36 Φ2.5 X1	A37 ST3.5X9.5 X6			

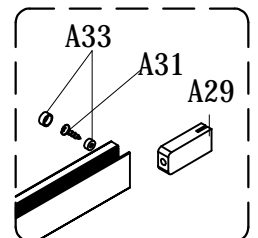
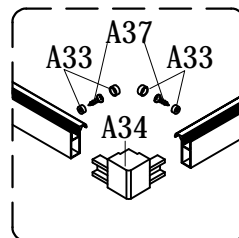
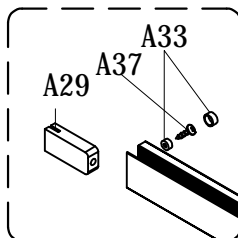
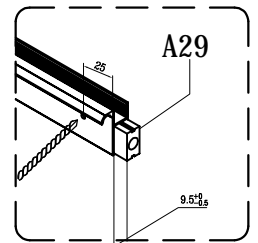
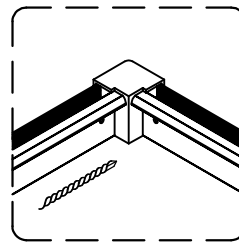
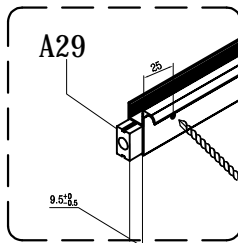
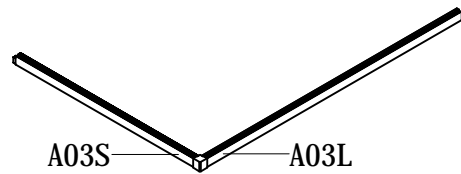
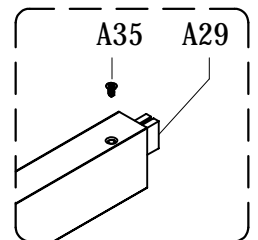
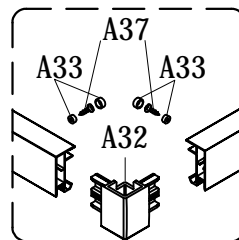
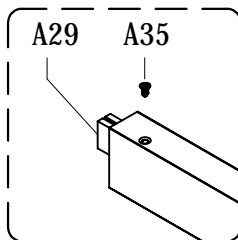
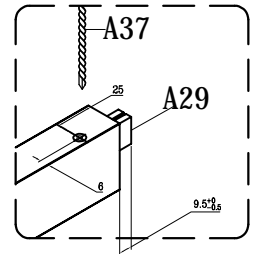
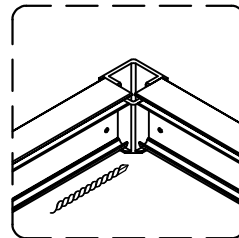
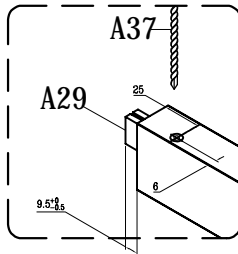
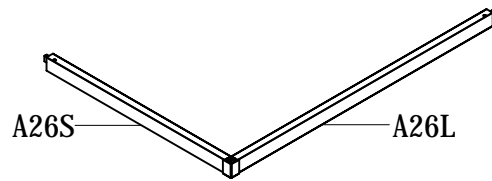
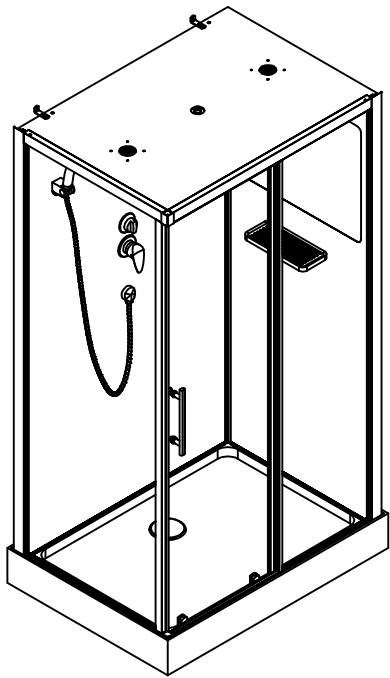
B01 X1	B02 X1
---------------	---------------

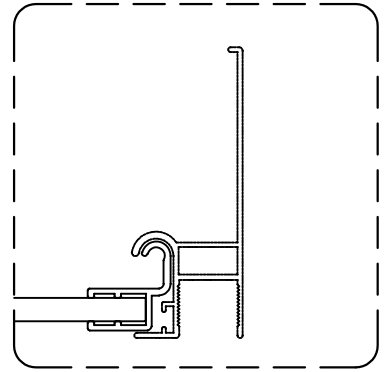
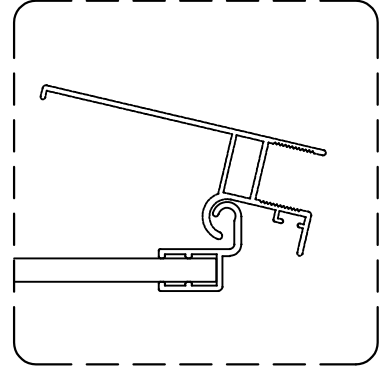
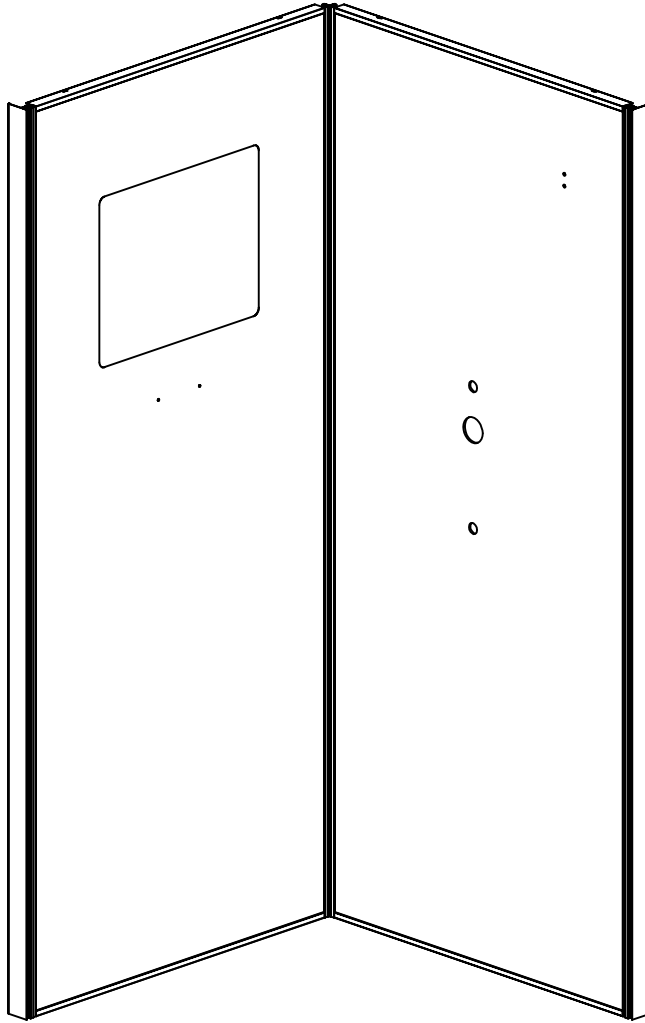
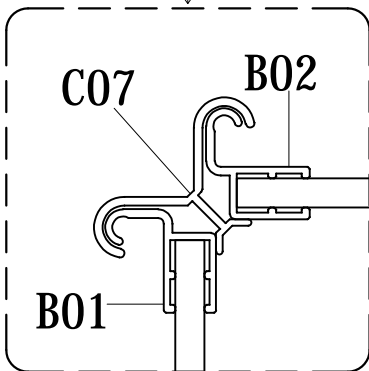
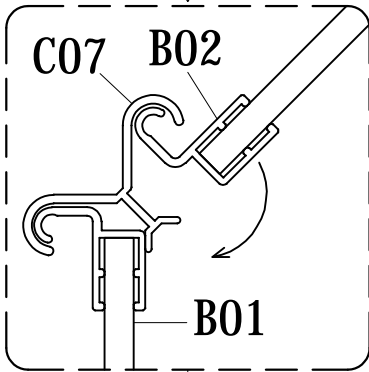
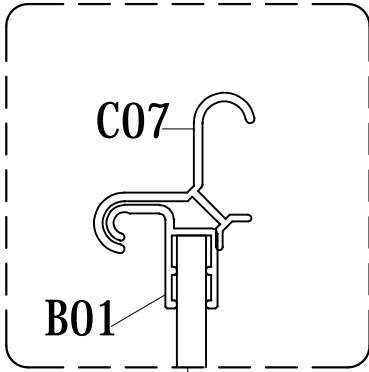
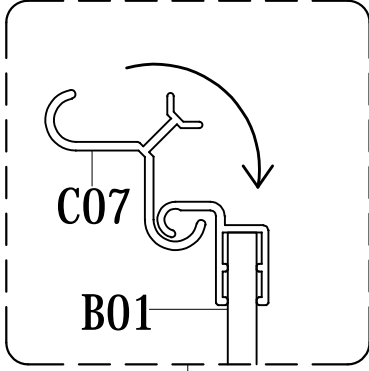
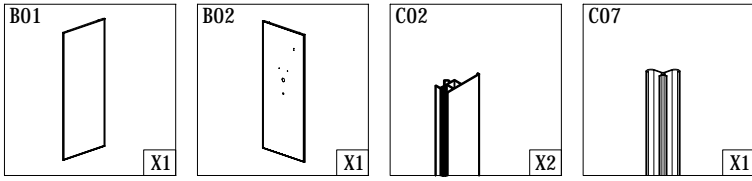
C01 X2	C02 X2	C03 X1	C04 X1	C05 X1	C06 X1	C07 X1
C08 X1	C09 X1					

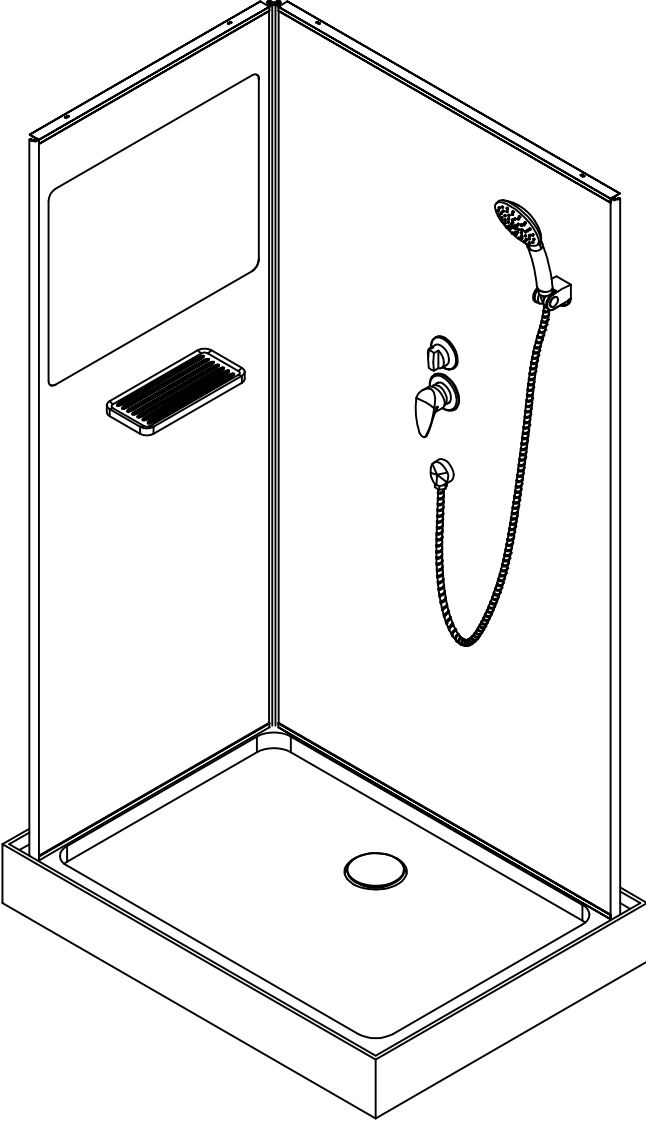
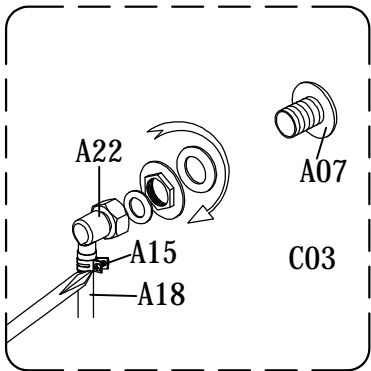
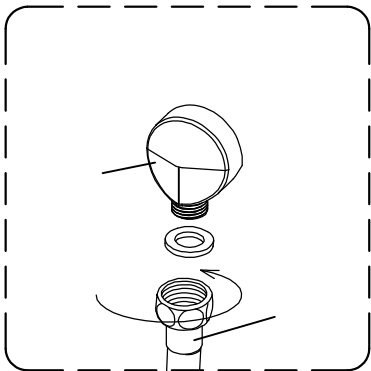
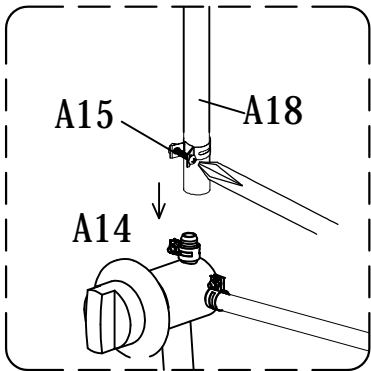
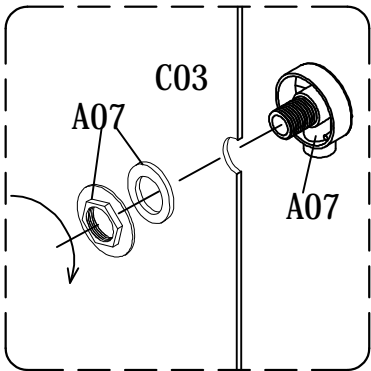
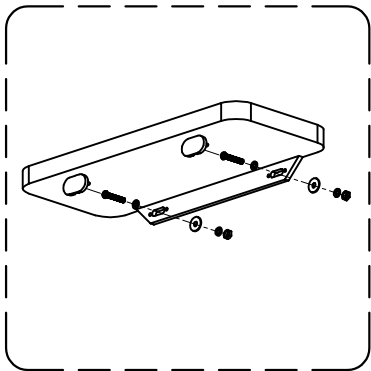
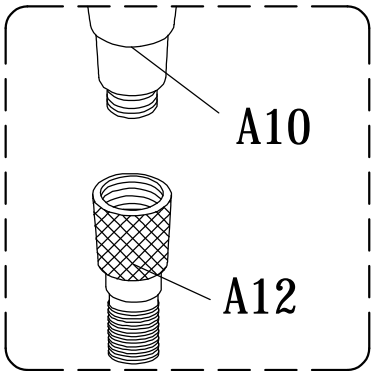
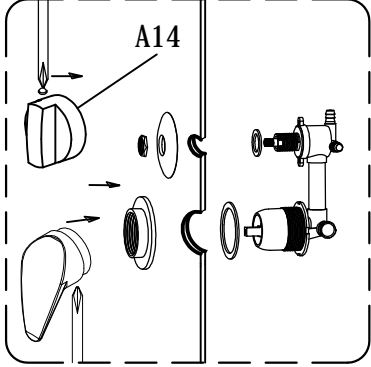
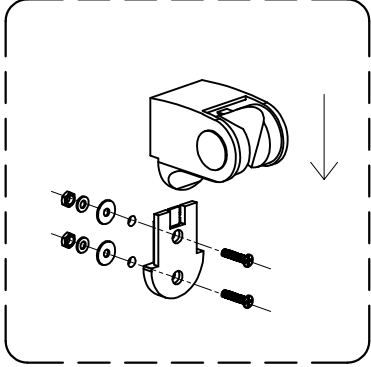
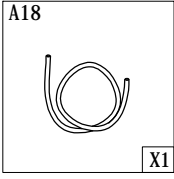
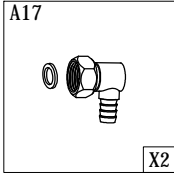
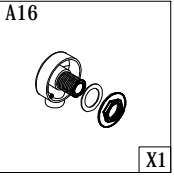
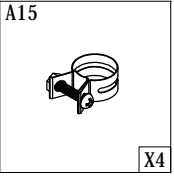
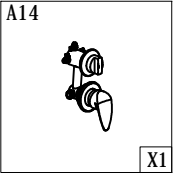
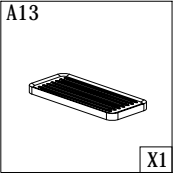
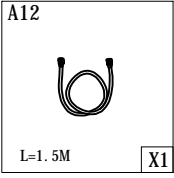
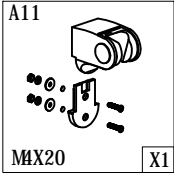
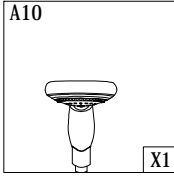


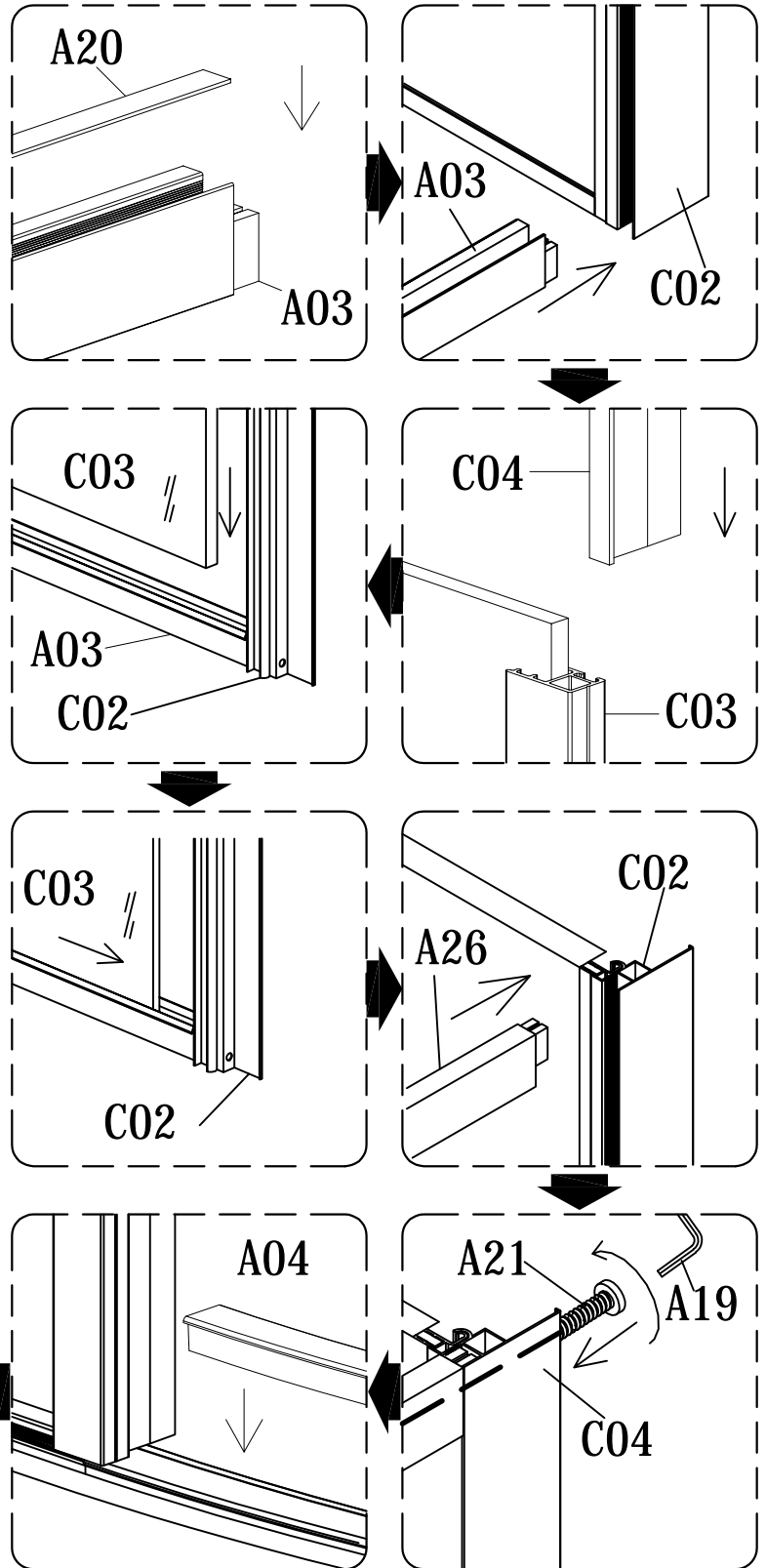
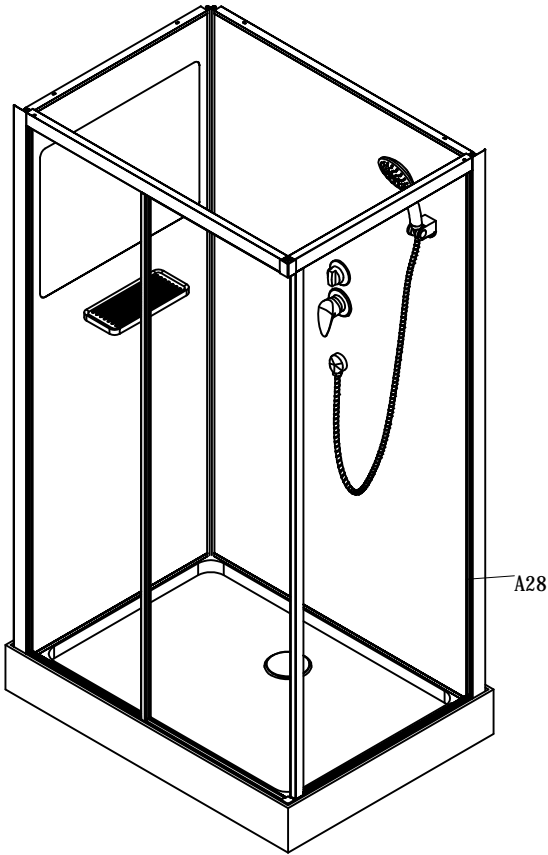
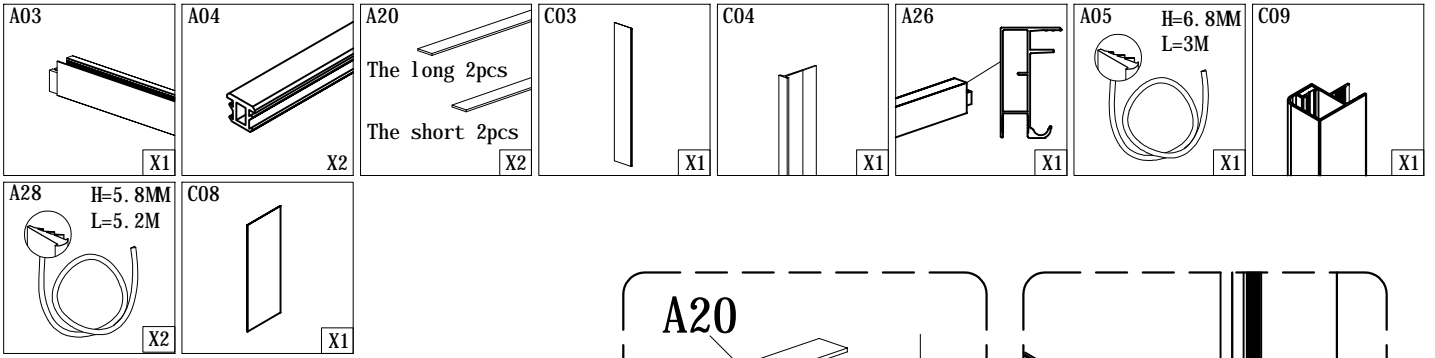


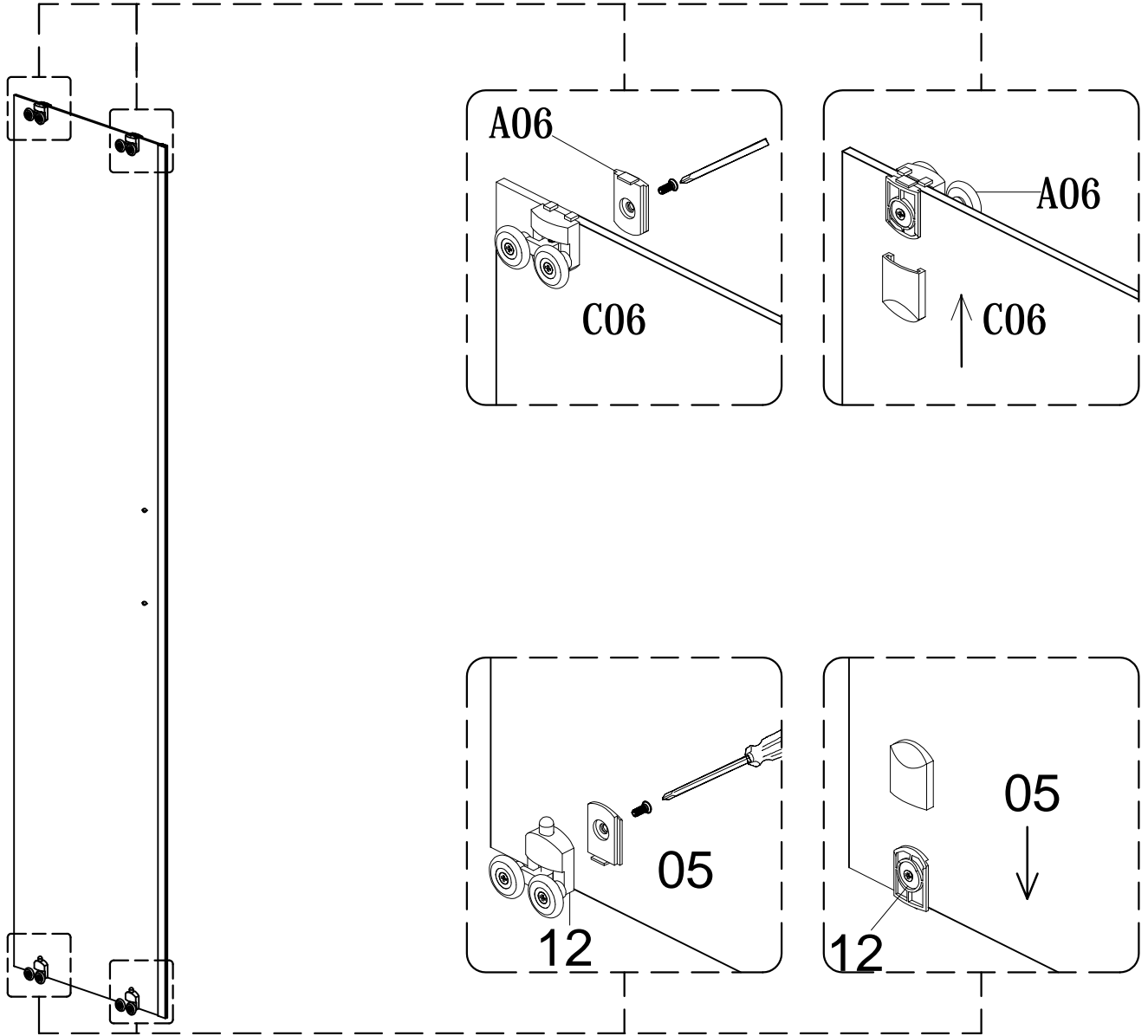
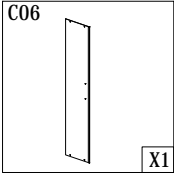
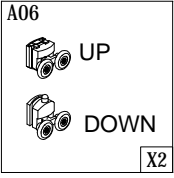
Reversible installation



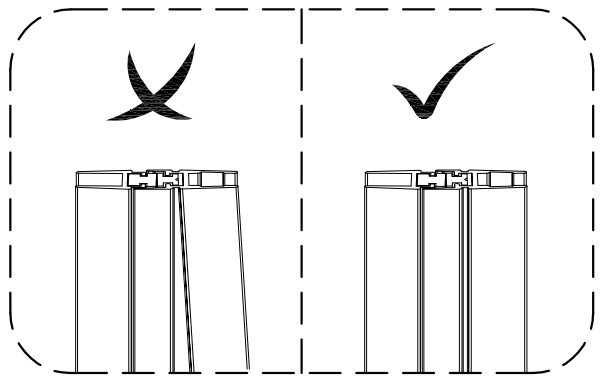
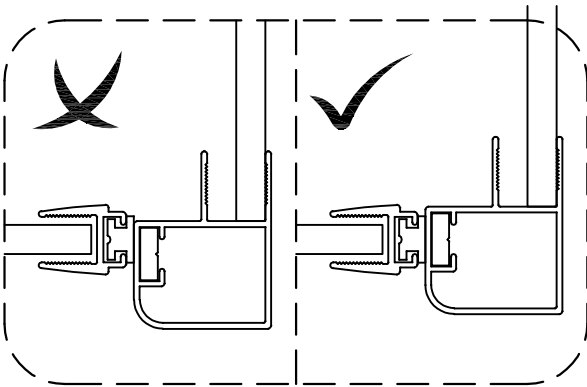
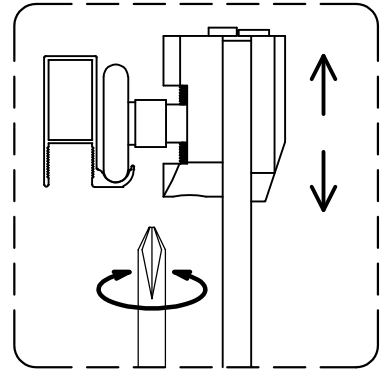
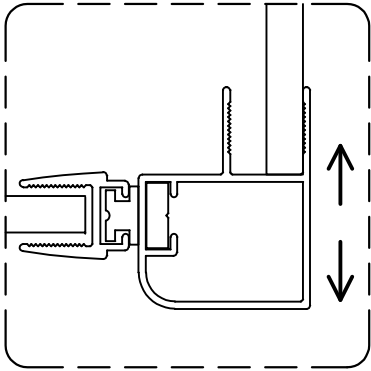
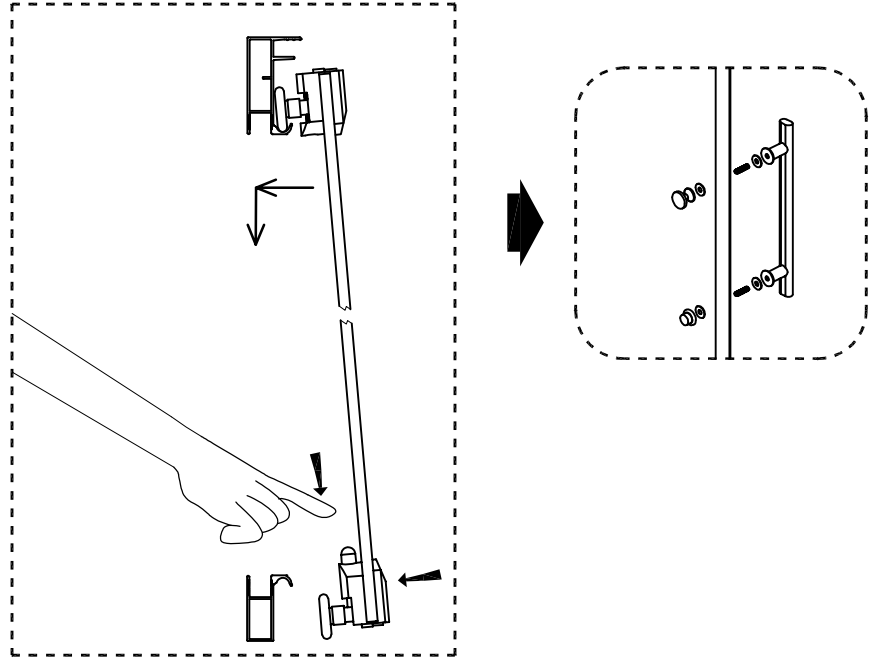
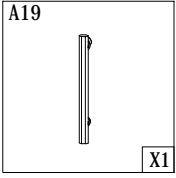


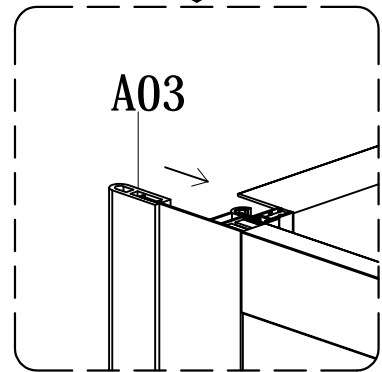
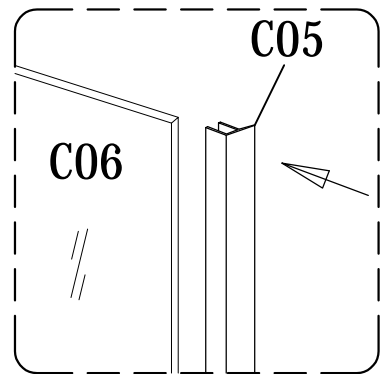
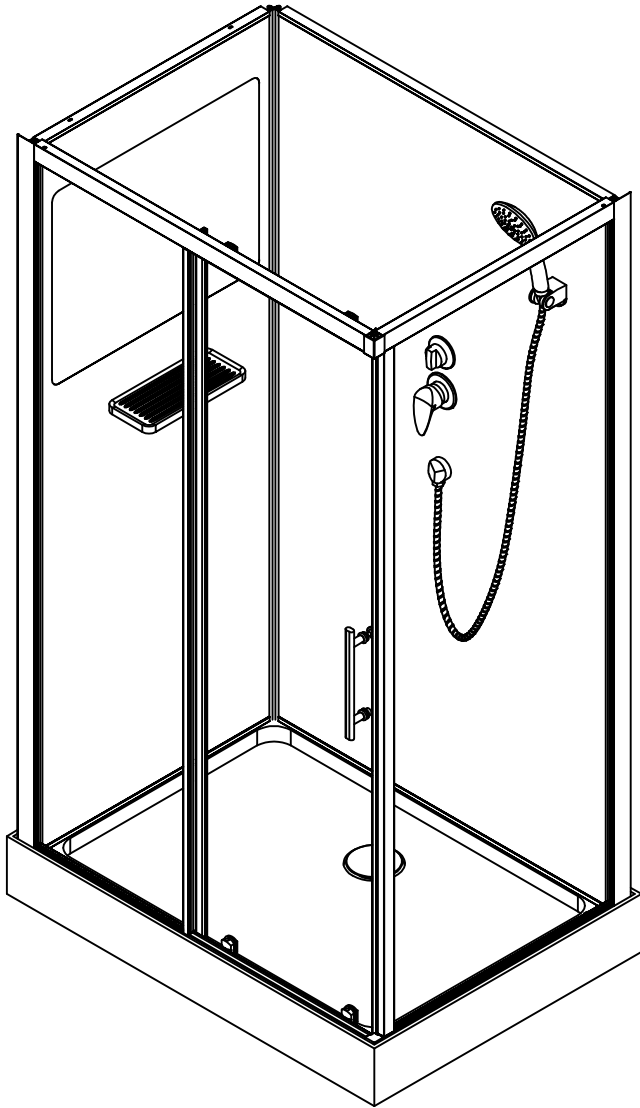
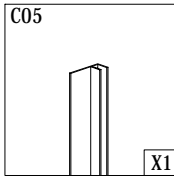
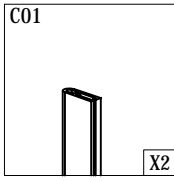






A19





A31



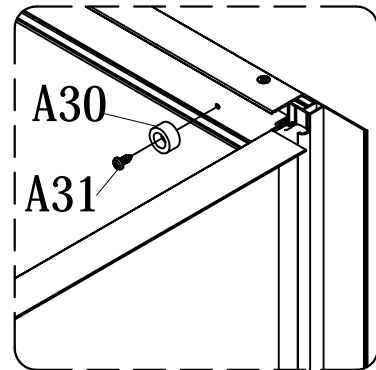
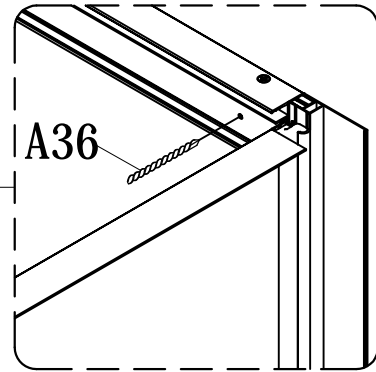
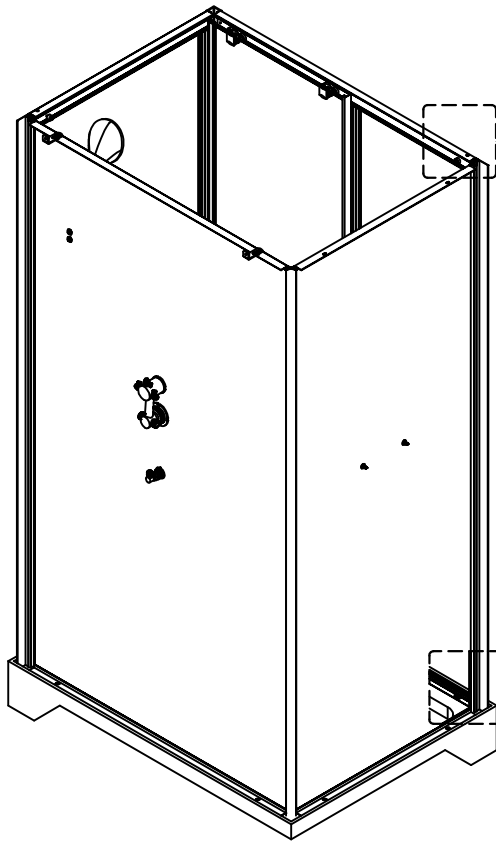
ST4X10

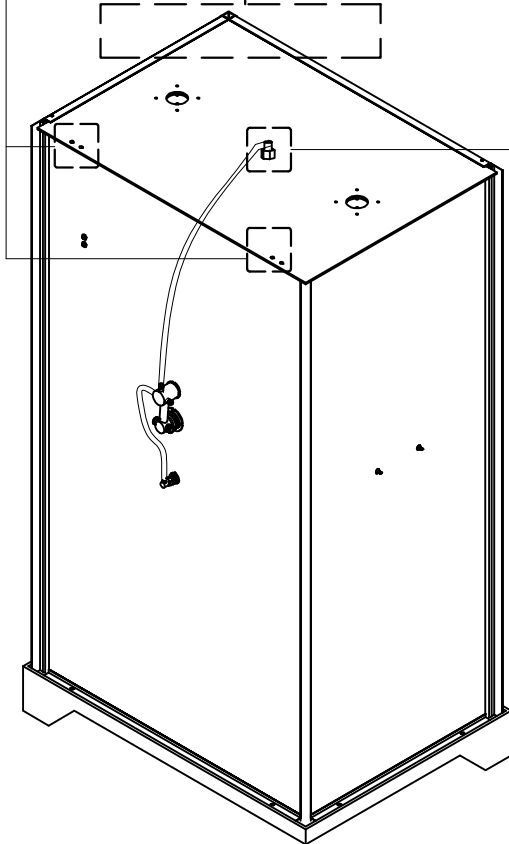
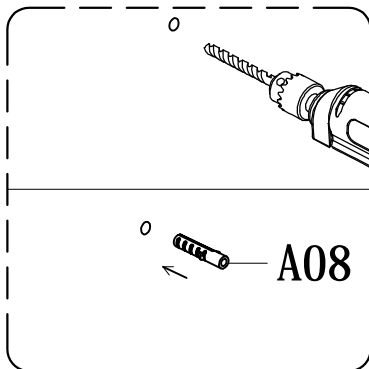
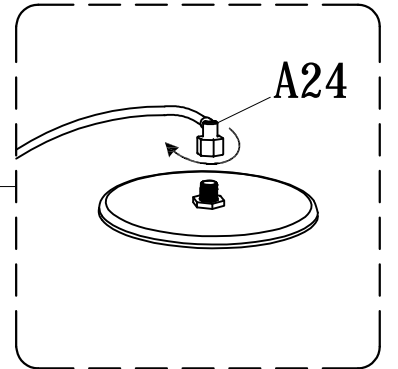
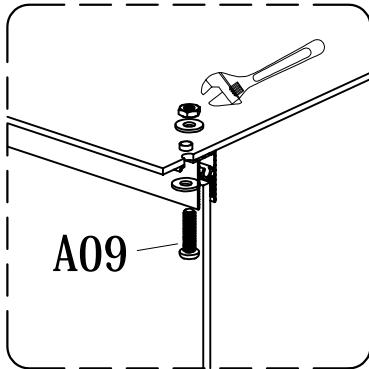
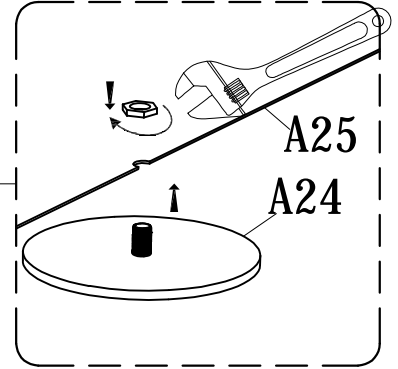
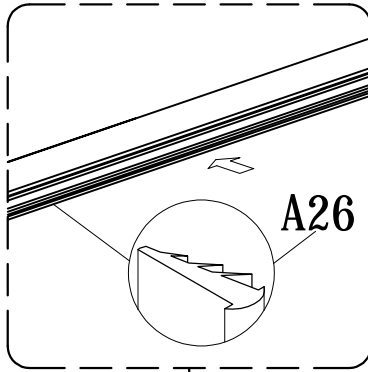
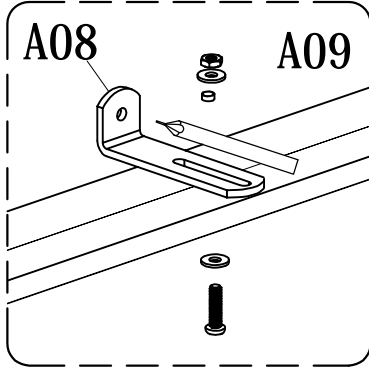
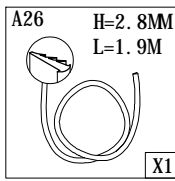
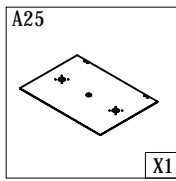
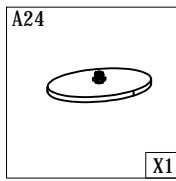
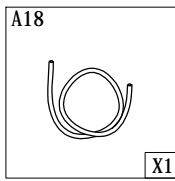
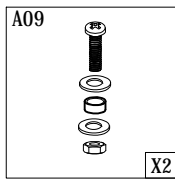
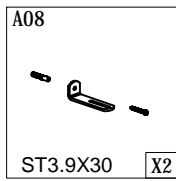
X2

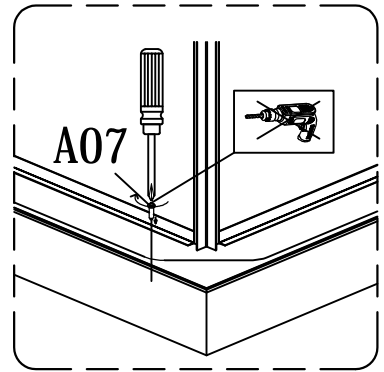
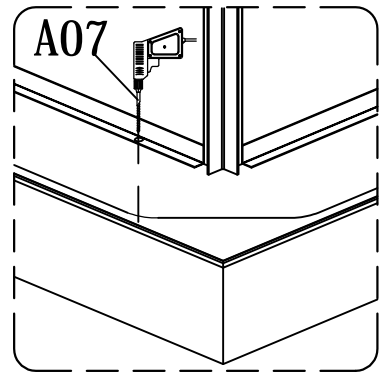
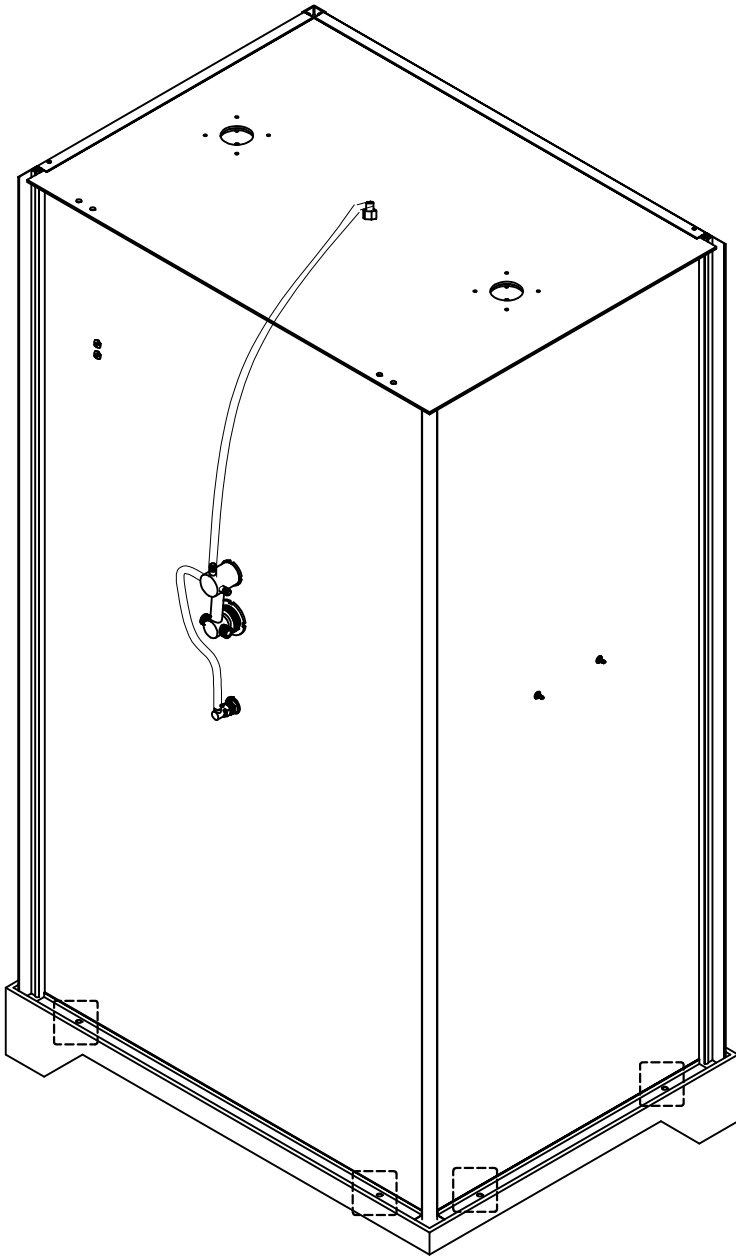
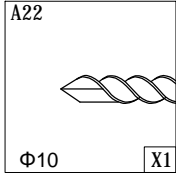
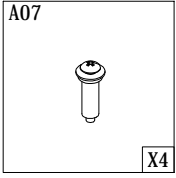
A30



X2







	A	B	C
ESB- 1180CKR	350	800	550
ESB- 1280CKR	350	900	600

