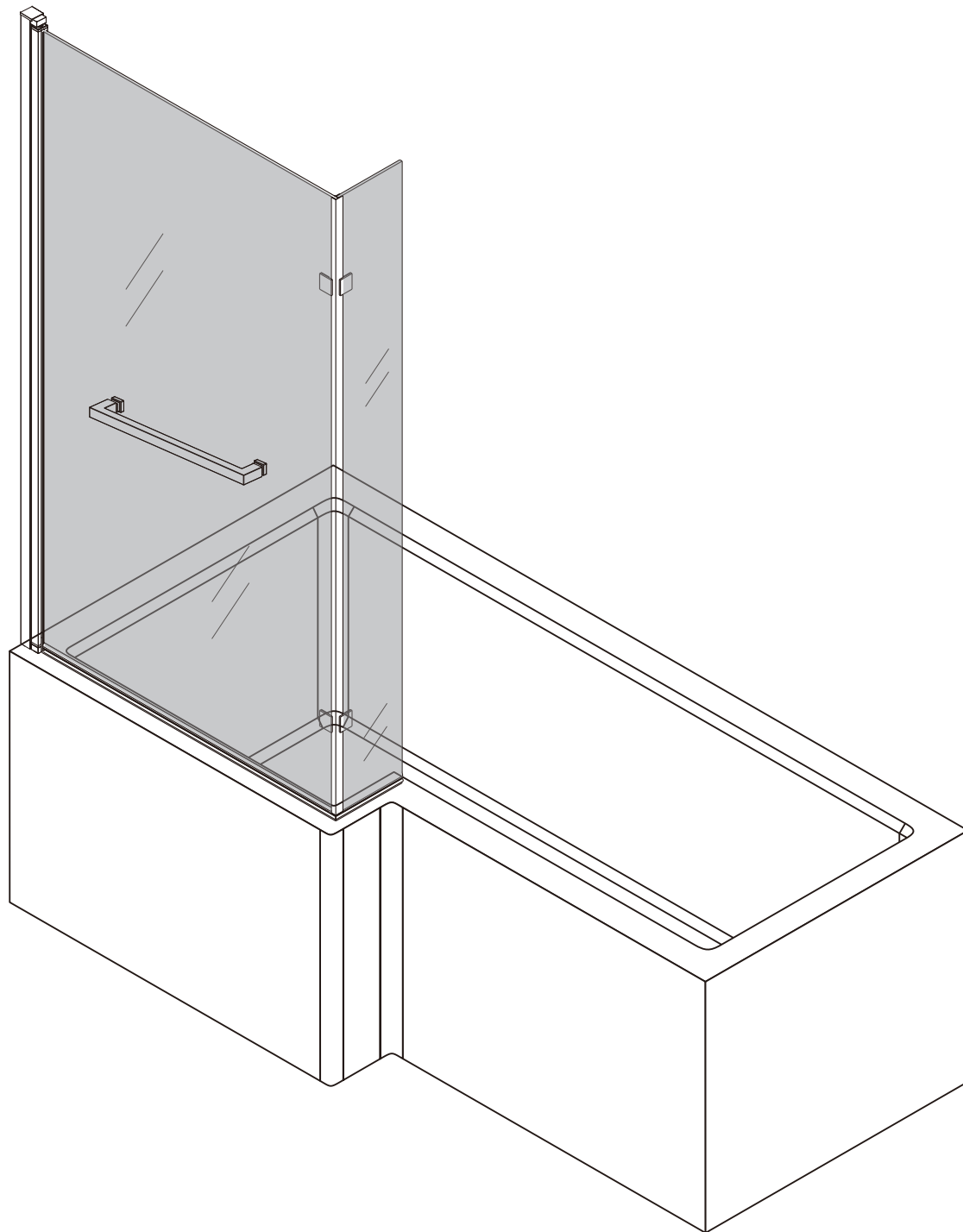
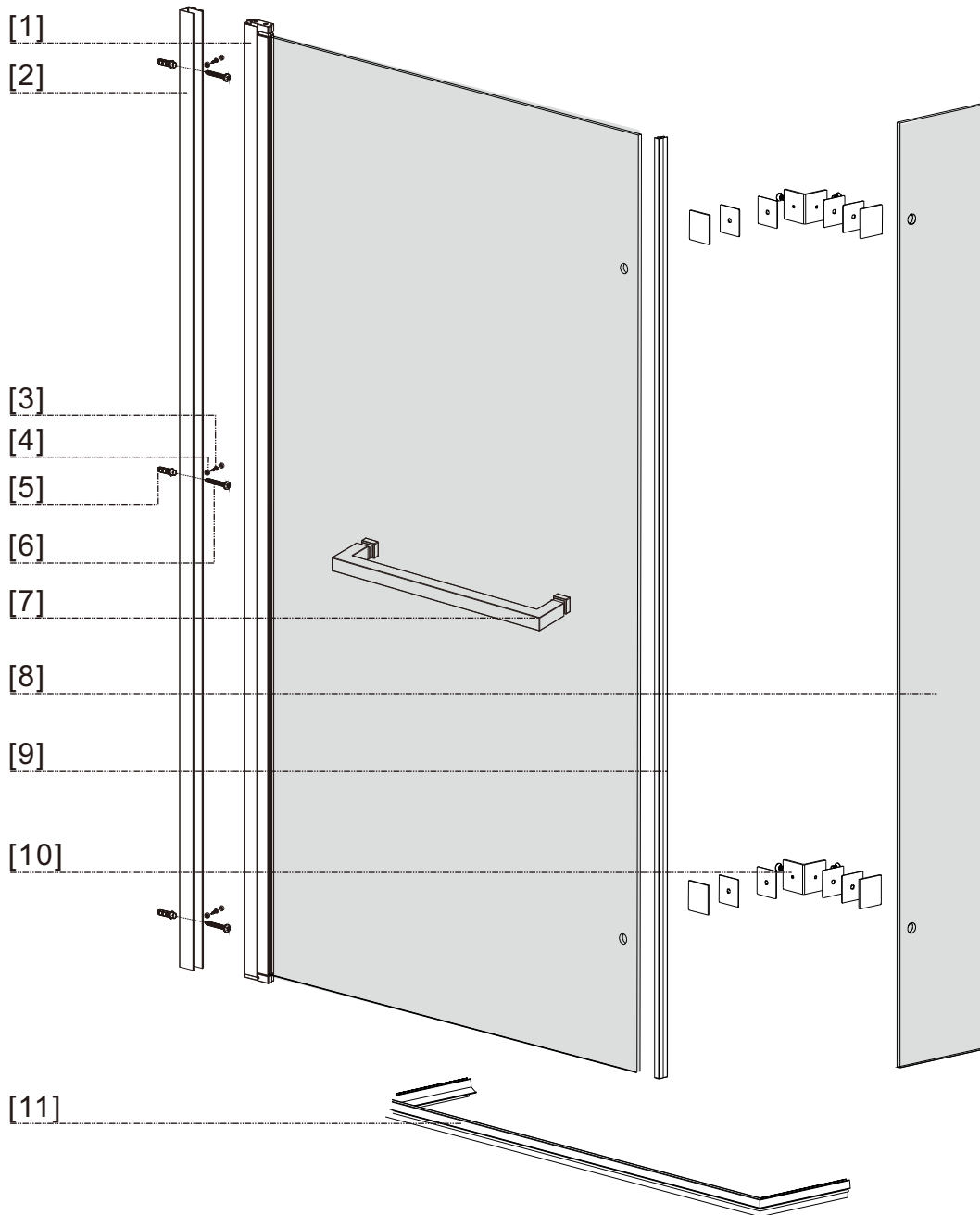
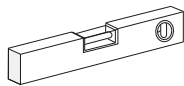

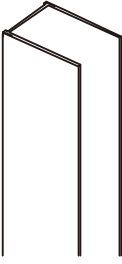
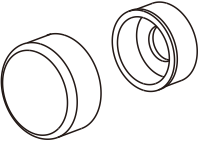
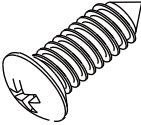




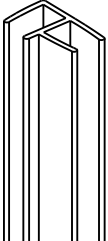
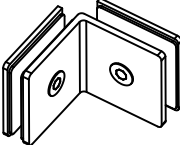
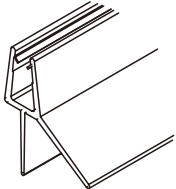


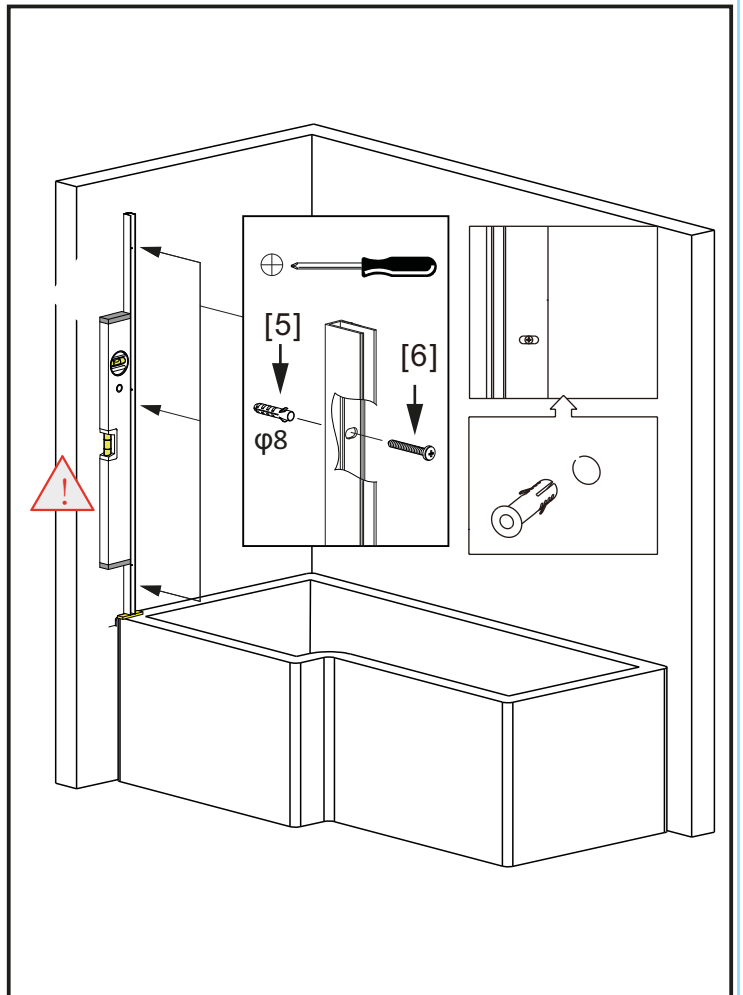
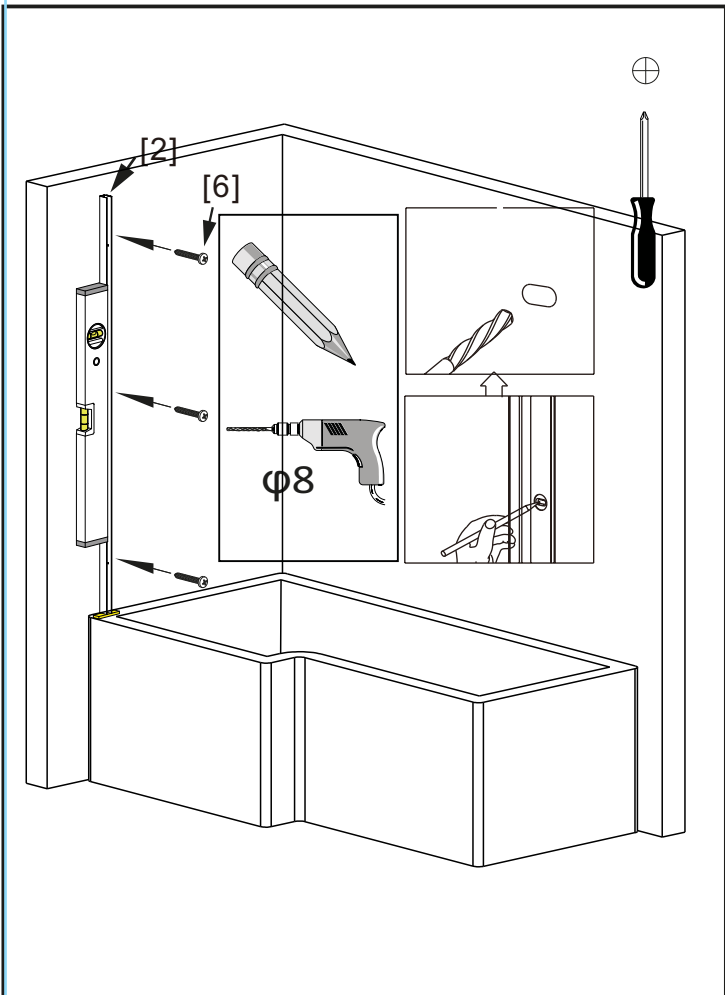
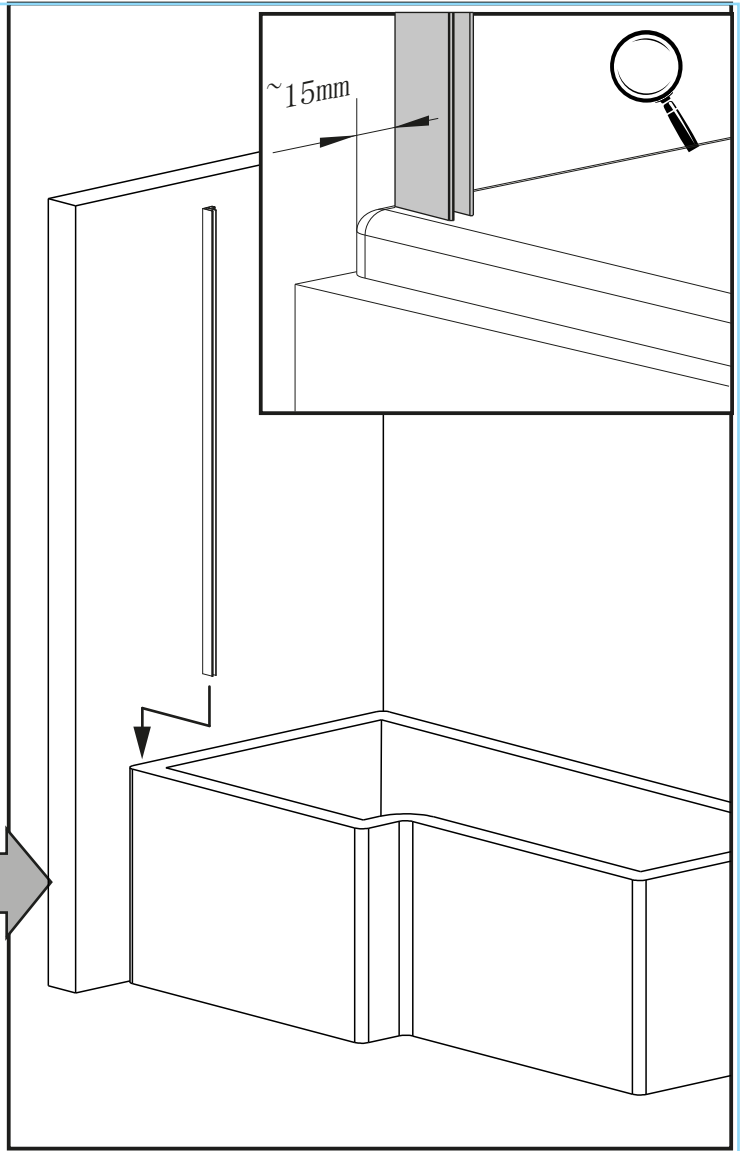
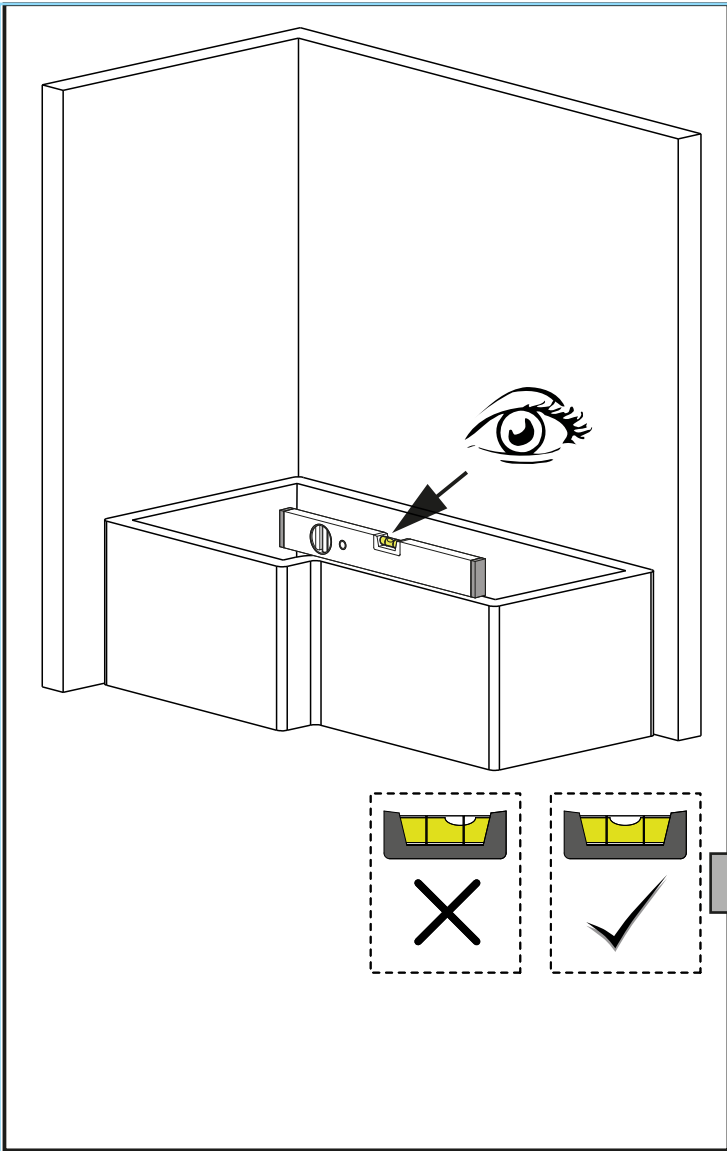
AM-PM

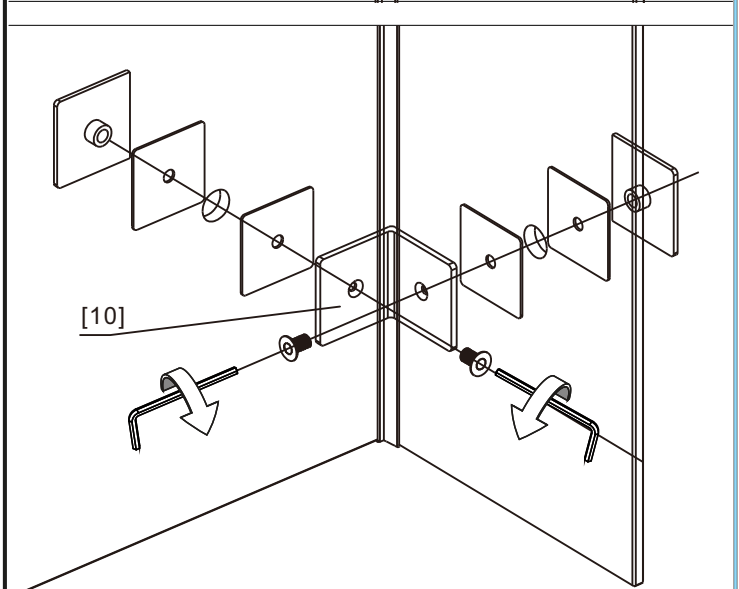
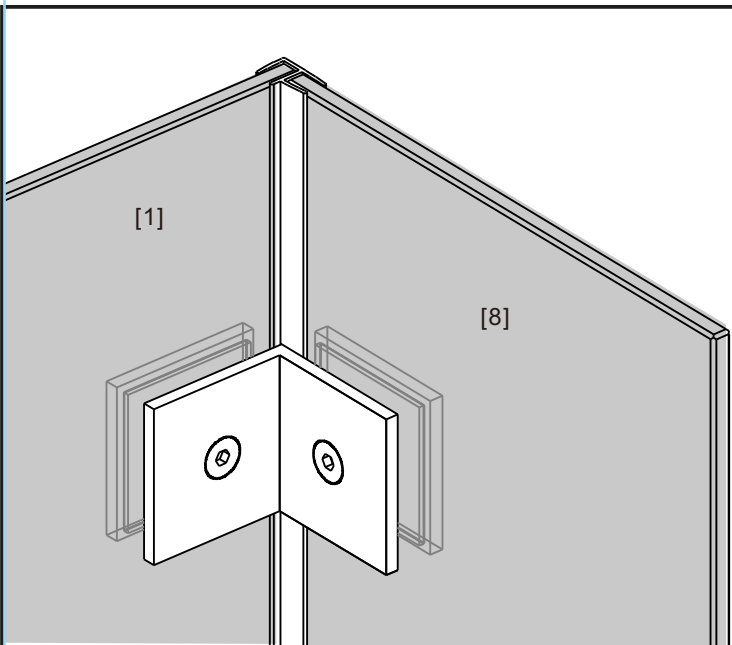
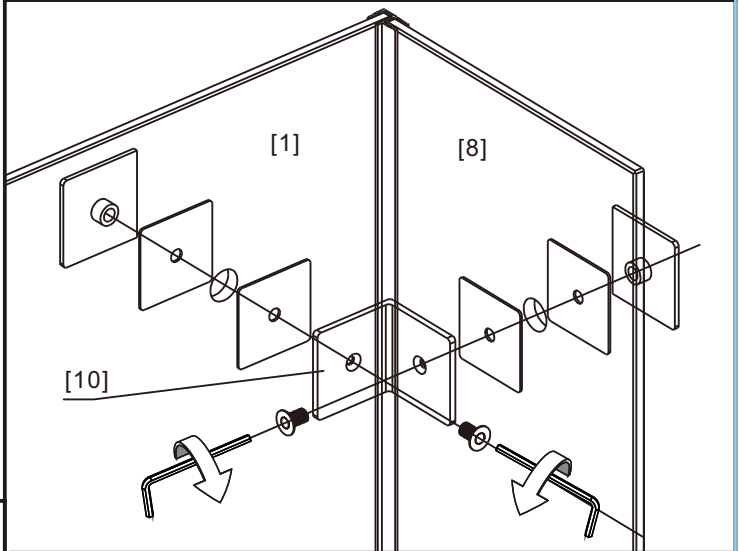
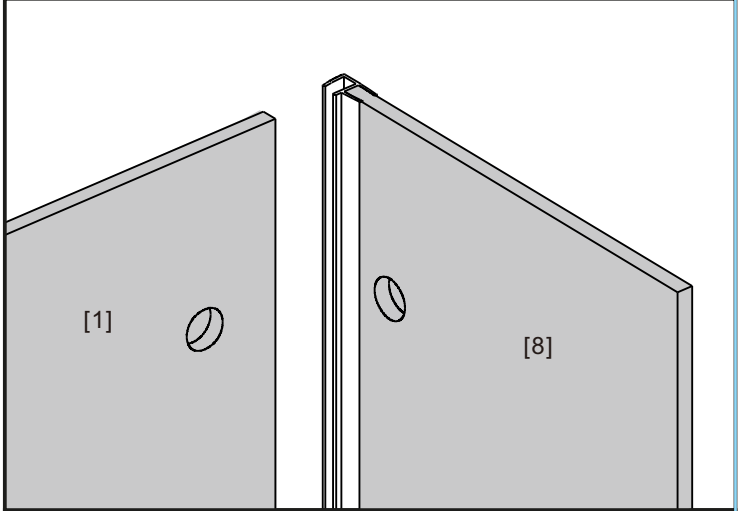
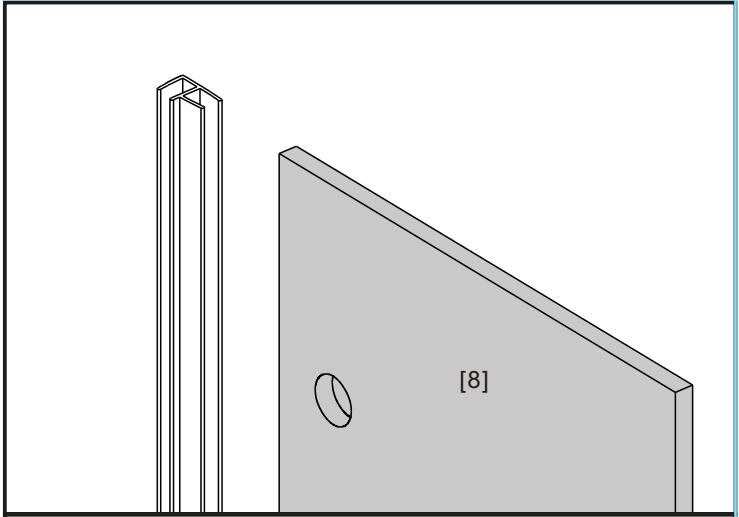
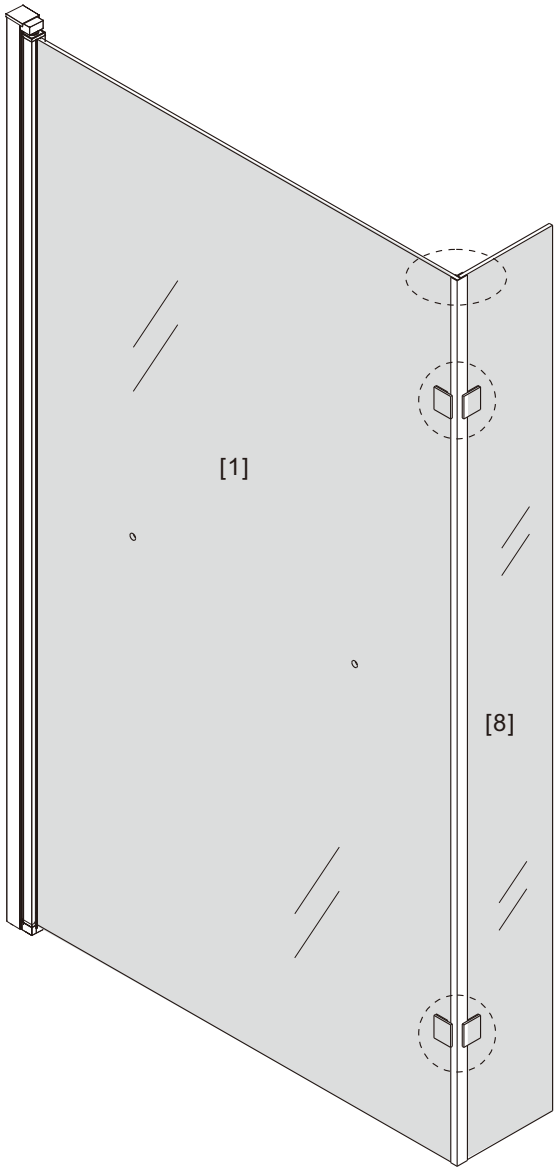


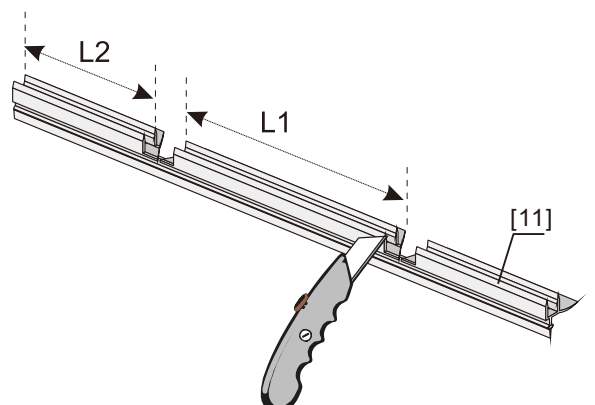
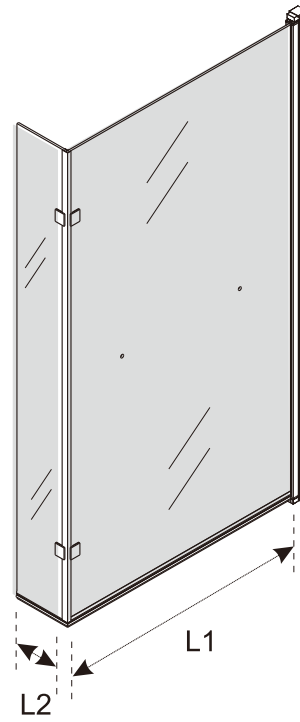
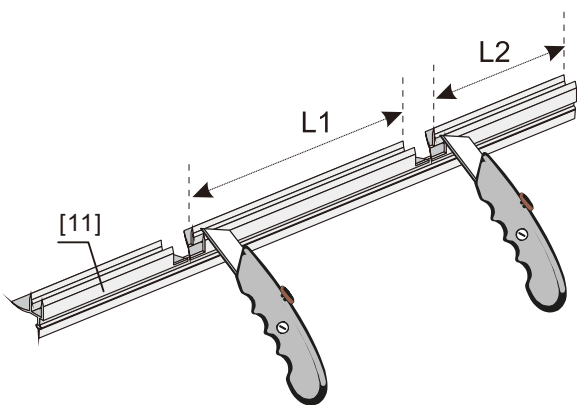
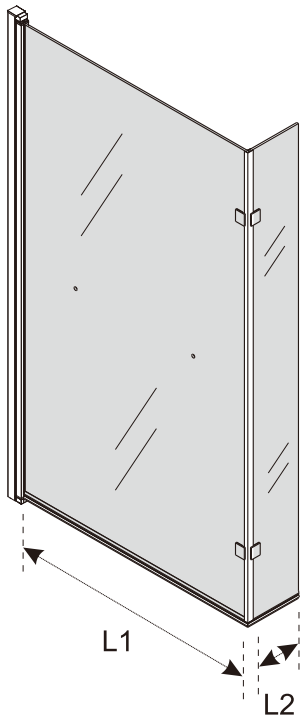
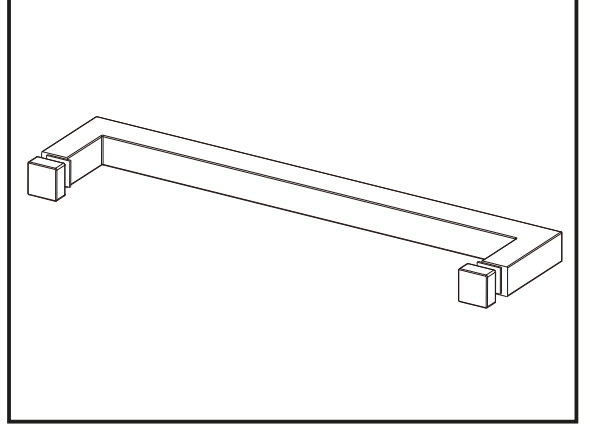
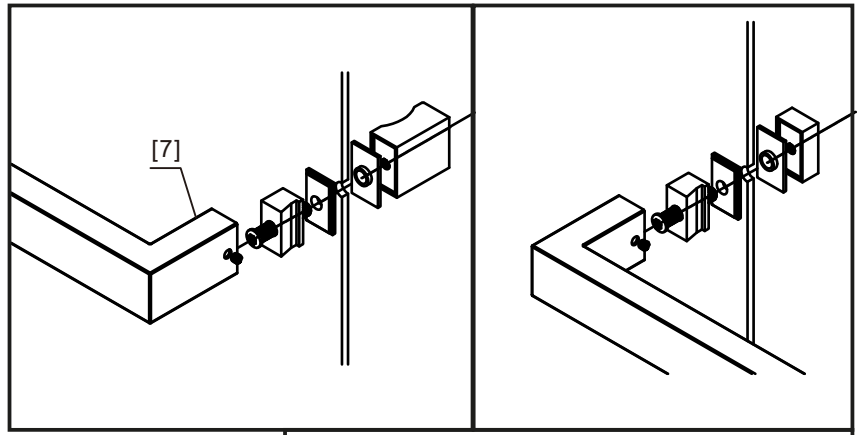
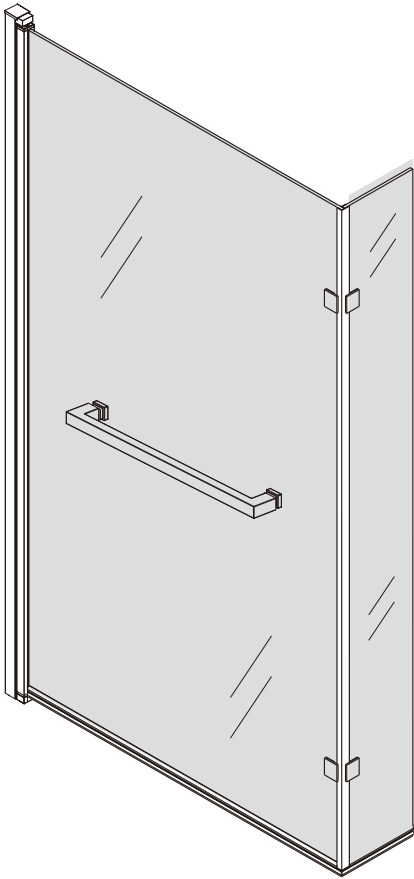
DX35WBS-D7W1-150MT	(800+30)x1400mm
--------------------	-----------------

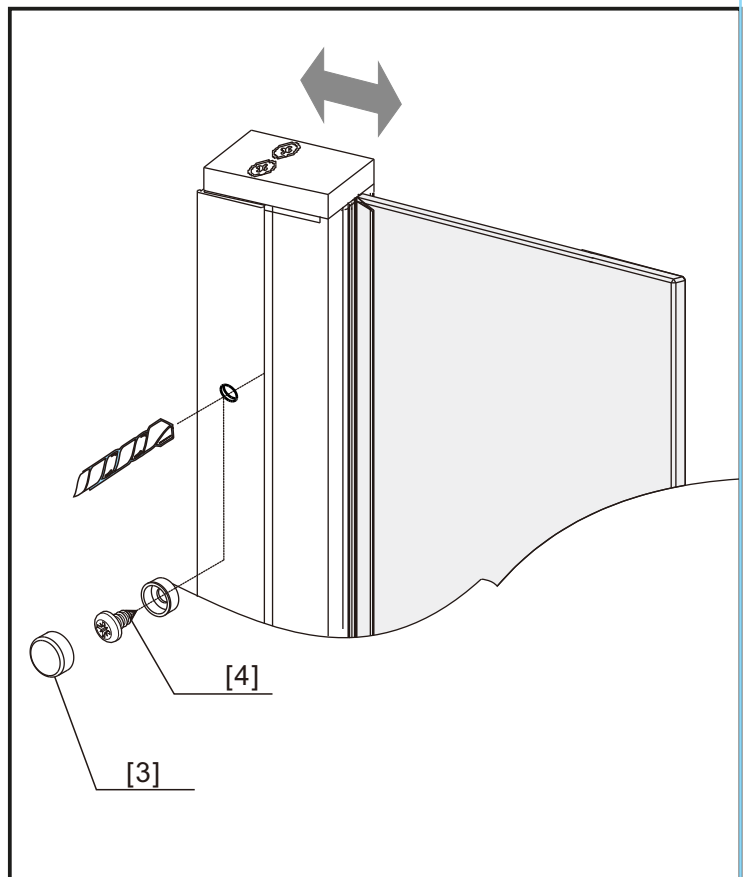
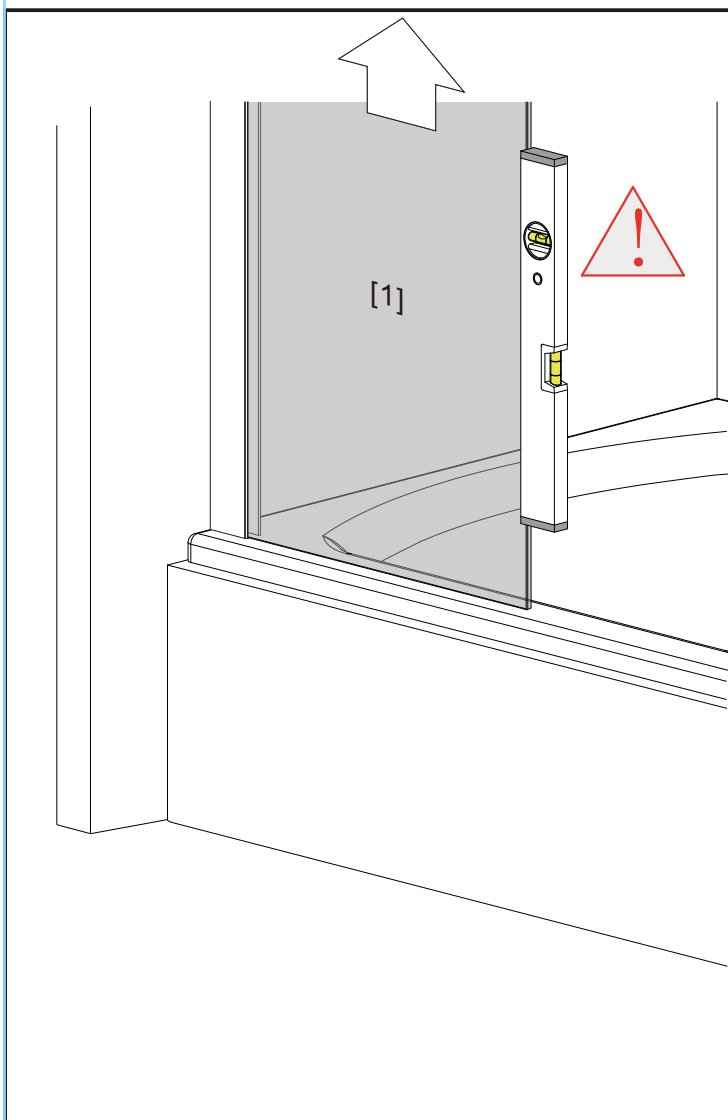
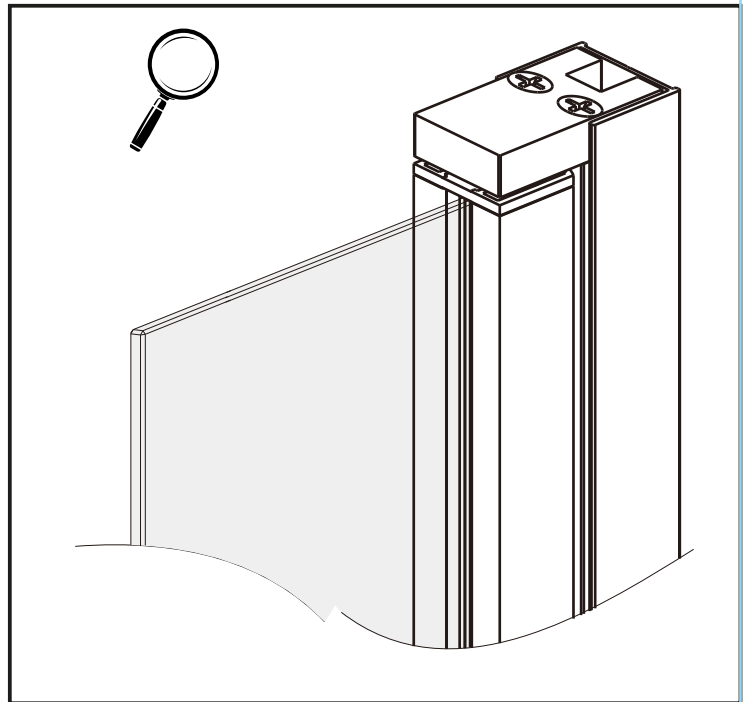
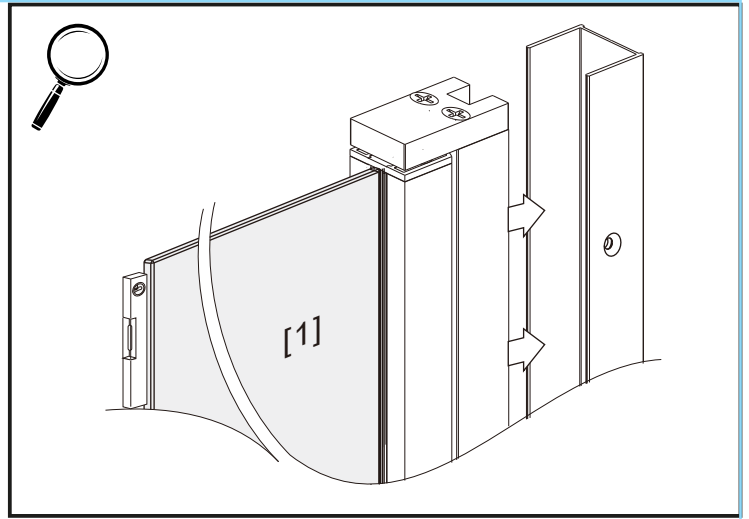
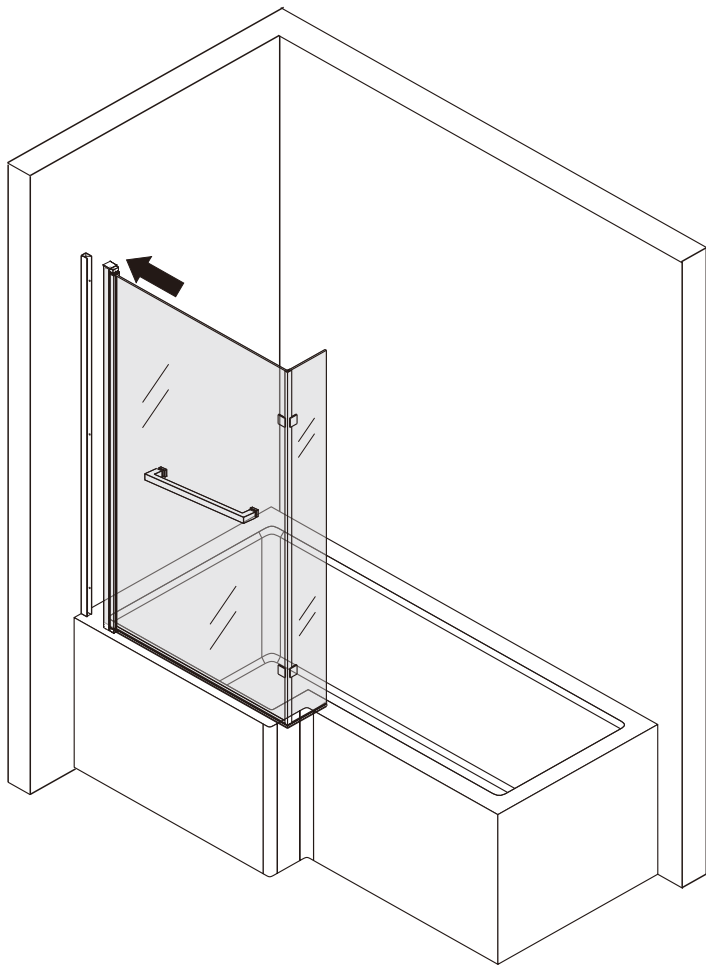


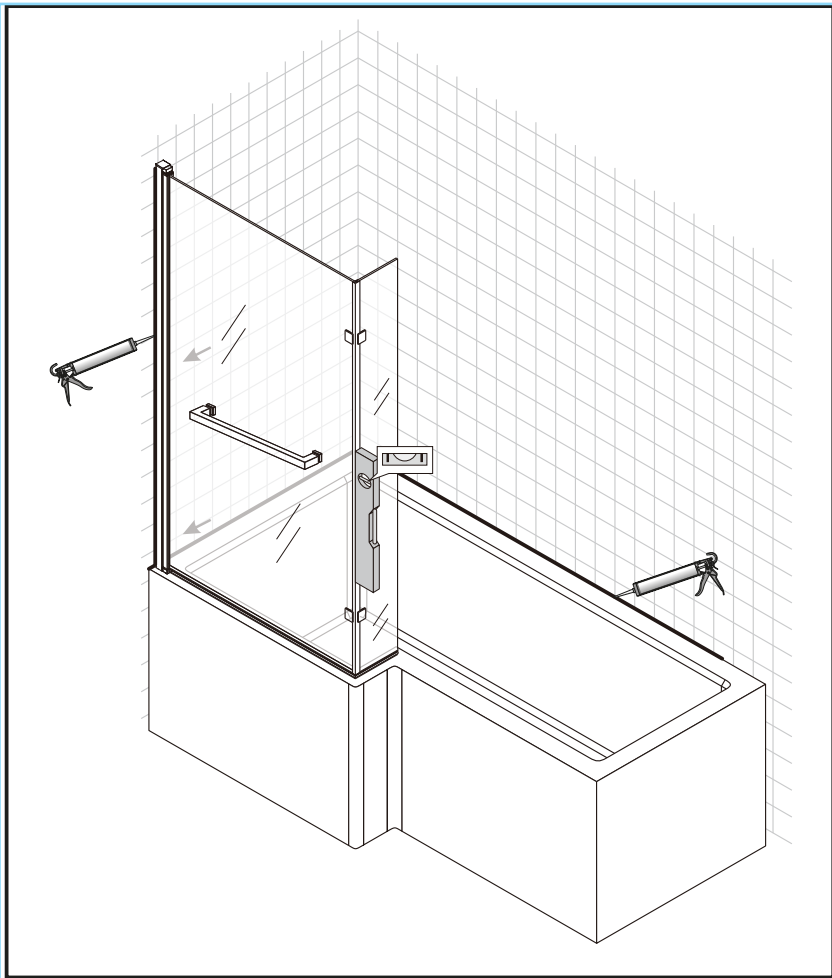
<p>1</p>  <p>X1</p>	<p>2</p>  <p>X1</p>	<p>3</p>  <p>X3</p>	<p>4</p>  <p>3.5X9.5 X3</p>	<p>5</p>  <p>X3</p>	<p>6</p>  <p>3.5X32 X3</p>
<p>7</p>  <p>X1</p>	<p>8</p>  <p>X1</p>	<p>9</p>  <p>X1</p>	<p>10</p>  <p>X2</p>	<p>11</p>  <p>X1</p>	











24h 