

CONDICTION OF USE

LIMITS: 1,0 - 5,0 bar

RECOMMENDED: 2,0 - 4,0 bar

Suitable for High pressure (Mains Supply) Applications.

Shower may not be suitable for use with Gravity-fed water heaters, low and unequal pressure supply networks, instantaneous water heaters, tempering valves and thermostatic mixing valves.

Installation of the shower head comply with the requirements of the warranty as defined in the Plumbing Code of Australia, New Zeland Building Code and the installation requirements of AS/NZS 3500.

FLOW CONTROLLER

The shower incorporates one flow controller already assembled into G 1/2 male connector.

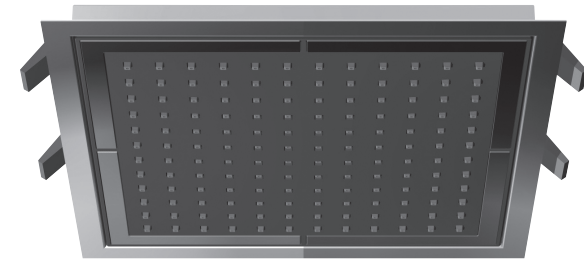
During installation care should be exercised to prevent any damage for flow controller.

To replace the flow controller:

- Disconnect the input flexible.
- Remove the old flow controller.
- Insert the new flow controller according fig. A.
- Screw the input flexible.

NOBILIS®

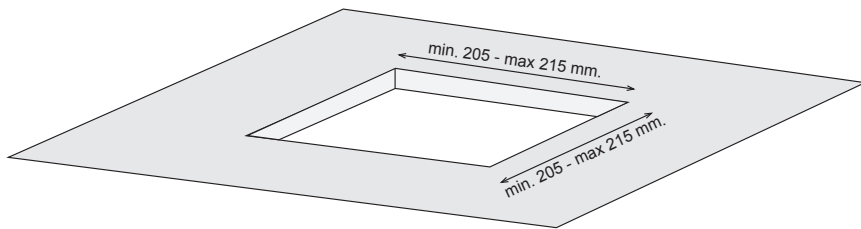
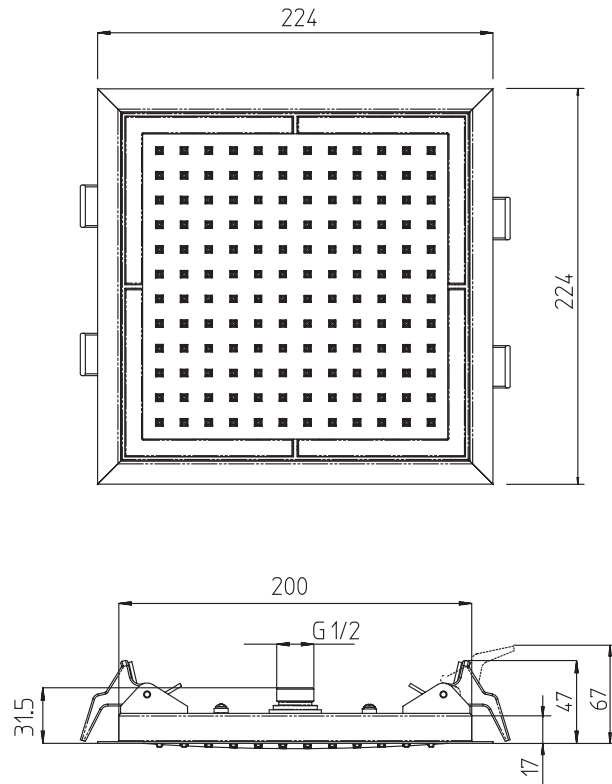
The Best Technology for Water



NOBILIS®
The Best Technology for Water

AD139/34
AD139/69

Data di collaudo
Test date
Date de la mise en test
Prüfungsdatum
Fecha de prueba



Pressure gauge icon | **P** | P bar | Gauge 1 (MAX. 5) | Gauge 2 (4) | Thumbs up icon

